



## TARA Single-hole lavatory mixer with stand pipe without drain - Dark Chrome

22 585 892 Product version from 4/1/2024



- 7-7/8" Projection
- Swiveling spout 360°
- Round aerated stream
- Total height 43-1/8" - 45-7/8"
- Height to aerator/spout outlet 40-3/8" - 43-1/8"
- Flange diameter 5-3/8"
- Water flow rate limited to max. 1.2 gpm
- lead-free
- This product can help a building meet the requirements of Green Building Rating Systems, e.g. LEED®, BREEAM®, DGNB **(ADA)**

(ADA)

	Dark Chrome	22 585 892-19 0010
	Chrome	22 585 892-00 0010
	Brushed Platinum	22 585 892-06 0010
	Platinum	22 585 892-08 0010
	Brushed Durabronze (23kt Gold)	22 585 892-28 0010
	Matte Black	22 585 892-33 0010
	Brushed Bronze	22 585 892-42 0010
	Brushed Champagne (22kt Gold)	22 585 892-46 0010
	Champagne (22kt Gold)	22 585 892-47 0010
	Brushed Chrome	22 585 892-93 0010
	Brushed Dark Platinum	22 585 892-99 0010

### Required article



#### Floor mounting rough set -

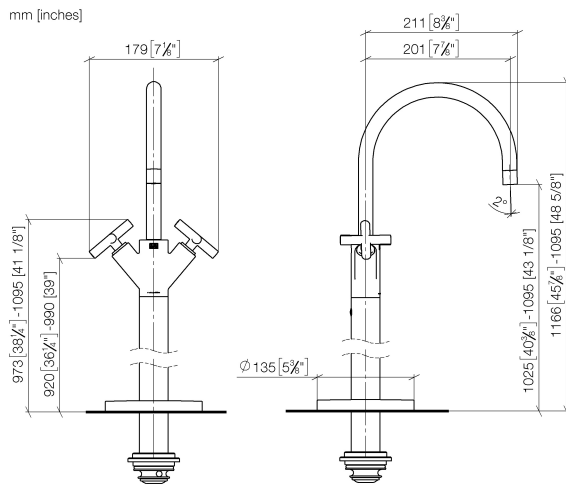
- Min. rough in depth "
- Max. rough in depth "

35 949 970-90  
0010

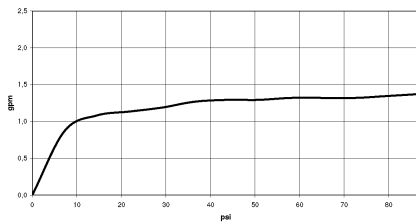


## TARA Single-hole lavatory mixer with stand pipe without drain - Dark Chrome

22 585 892 Product version from 4/1/2024



### Flow rate chart



### Codes & Standards

ASME A112.18.1

California Energy  
Commission  
(CEC)

cUPC

NSF372

NSF61



## TARA Single-hole lavatory mixer with stand pipe without drain - Dark Chrome

---

22 585 892 Product version from 4/1/2024

### Certificates

---

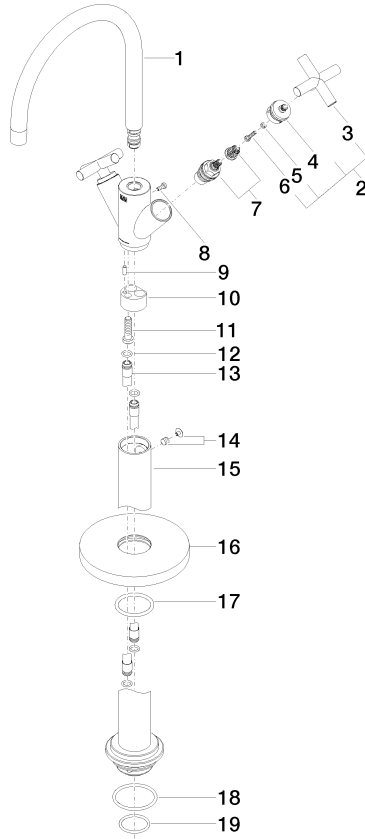
IAPMO\_4976

IAPMO\_N-4

IAPMO\_6

**TARA Single-hole lavatory mixer with stand pipe without drain - Dark Chrome**

22 585 892 Product version from 4/1/2024



**Spare parts list**

Number	Item Number	Designation	Number of units	Lead time
1	90 28 22 214 03-19	spout	1	20
2	90 20 89 010 10-19	handle	2	20
3	09 20 89 010-19	handle	2	60
4	90 12 12 219 00-19	base	2	20
5	90 30 11 029 00 90	disc	2	2
6	90 30 30 075 00 90	screw	2	2
7	90 90 03 151 00 90	top	2	2
8	09 30 30 054 90	screw	1	2
9	09 31 11 040 90	pin	1	2
10	09 24 03 193 90	adaptor	1	2
11	09 30 30 047 90	screw	1	2
12	09 14 10 139 90	seal	4	2
13	04 28 22 022 10 90	connection	2	2
14	04 31 11 002 00 90	pin	1	2
15	04 28 22 028 00-19	pipe	1	60
16	09 27 88 011-19	rosette	1	60
17	90 14 10 043 00 90	seal	1	2
18	09 14 10 084 90	seal	1	2
19	09 14 10 018 90	seal	1	2