



TARA Single-hole mixer - Platinum

22 815 892 Product version from 5/27/2021



- 9-1/4" Projection
- Swiveling spout 360°
- Aerated stream
- Total height 14-7/8"
- Height to aerator/spout outlet 8-5/8"
- 1-3/8" hole diameter
- 2 x pressure hose with 3/8" compression fitting
- Water flow rate limited to max. 1.5 gpm
- lead-free
- This product can help a building meet the requirements of Green Building Rating Systems, e.g. LEED®, BREEAM®, DGNB

(ADA)

Combination with side spray set or profi side spray set not possible.

	Platinum	22 815 892-08 0010
	Chrome	22 815 892-00 0010
	Brushed Platinum	22 815 892-06 0010
	Durabronze (23kt Gold)	22 815 892-09 0010
	Dark Chrome	22 815 892-19 0010
	Brushed Durabronze (23kt Gold)	22 815 892-28 0010
	Matte Black	22 815 892-33 0010
	Brushed Bronze	22 815 892-42 0010
	Brushed Champagne (22kt Gold)	22 815 892-46 0010
	Champagne (22kt Gold)	22 815 892-47 0010
	Brushed Chrome	22 815 892-93 0010
	Brushed Dark Platinum	22 815 892-99 0010

Recommended article

AIR SWITCH operating button, trim parts only - Platinum 10 713 970-08



Recommended article

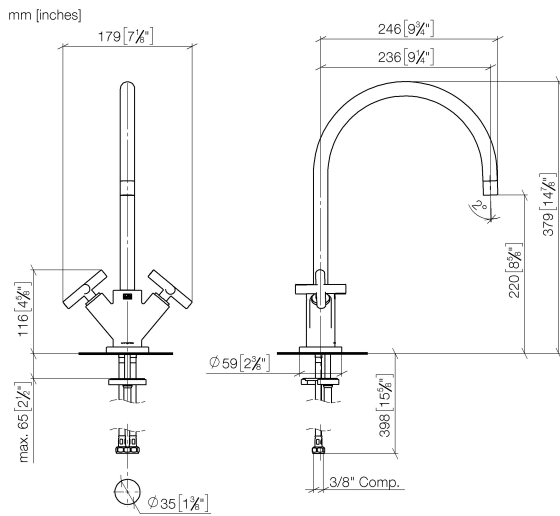
Soap dispenser with flange - Platinum 82 444 970-08



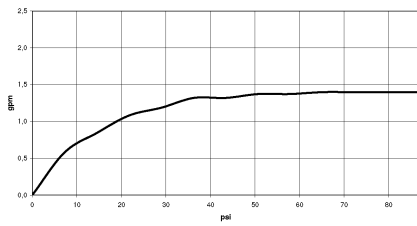


TARA Single-hole mixer - Platinum

22 815 892 Product version from 5/27/2021



Flow rate chart



Codes & Standards

ADA	ASME A112.18.1/CSA B125.1	California Energy Commission (CEC)	NSF/ANSI 372
NSF/ANSI/CAN 61	NSF372	NSF61	



TARA Single-hole mixer - Platinum

22 815 892 Product version from 5/27/2021

Certificates

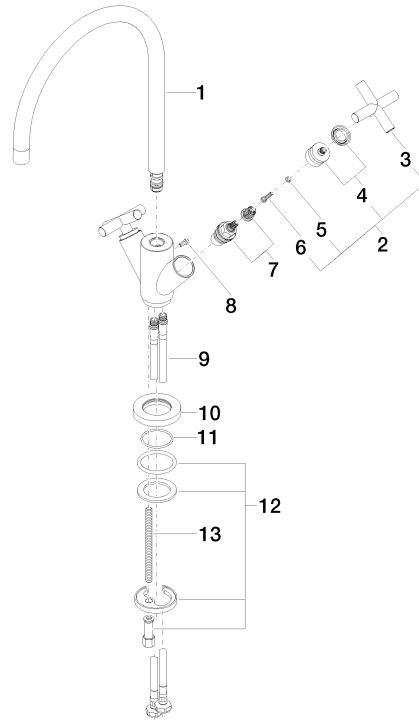
IAPMO_N-4

IAPMO_6

TARA Single-hole mixer - Platinum

22 815 892 Product version from 5/27/2021

Parts for other finishes can be found here: [Chrome](#)



Spare parts list

Number	Item Number	Designation	Number of units	Lead time
1	90 28 22 226 02-08	spout	1	40
2	90 20 89 010 10-08	handle	2	40
3	09 20 89 010-08	handle	2	60
4	90 12 12 007 00-08	base	2	40
5	90 30 11 029 00 90	disc	2	2
6	90 30 30 075 00 90	screw	2	2
7	90 90 03 151 00 90	top	2	2
8	09 30 30 054 90	screw	1	2
9	04 30 04 106 00 90	hose	2	2
10	09 28 10 132-08	ring	1	40
11	09 14 10 134 90	seal	1	2
12	04 30 11 038 00 90	fixing set	1	2
13	09 31 11 012 90	pin	1	2