

## TARA Single-hole mixer - Brushed Chrome

22 815 892 Product version from 5/27/2021



- 9-1/4" Projection
- Swiveling spout 360°
- Aerated stream
- Total height 14-7/8"
- Height to aerator/spout outlet 8-5/8"
- 1-3/8" hole diameter
- 2 x pressure hose with 3/8" compression fitting
- Water flow rate limited to max. 1.5 gpm
- lead-free
- This product can help a building meet the requirements of Green Building Rating Systems, e.g. LEED®, BREEAM®, DGNB

(ADA)

Combination with side spray set or profi side spray set not possible.

	Brushed Chrome	22 815 892-93 0010
	Chrome	22 815 892-00 0010
	Brushed Platinum	22 815 892-06 0010
	Platinum	22 815 892-08 0010
	Durabronze (23kt Gold)	22 815 892-09 0010
	Dark Chrome	22 815 892-19 0010
	Brushed Durabronze (23kt Gold)	22 815 892-28 0010
	Matte Black	22 815 892-33 0010
	Brushed Bronze	22 815 892-42 0010
	Brushed Champagne (22kt Gold)	22 815 892-46 0010
	Champagne (22kt Gold)	22 815 892-47 0010
	Brushed Dark Platinum	22 815 892-99 0010

### Recommended article

**AIR SWITCH operating button, trim parts only - Brushed Chrome** 10 713 970-93



### Recommended article

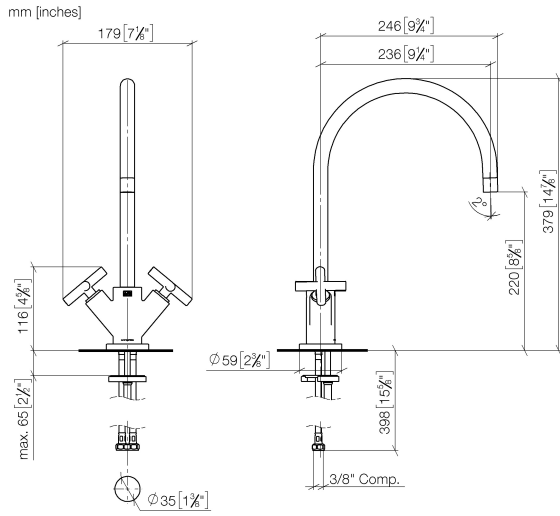
**Soap dispenser with flange - Brushed Chrome** 82 444 970-93



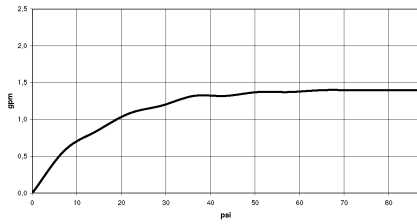


## TARA Single-hole mixer - Brushed Chrome

22 815 892 Product version from 5/27/2021



### Flow rate chart



### Codes & Standards

ADA

ASME  
A112.18.1/CSA  
B125.1

California Energy  
Commission  
(CEC)

NSF/ANSI 372

NSF/ANSI/CAN  
61

NSF372

NSF61



## TARA Single-hole mixer - Brushed Chrome

---

22 815 892 Product version from 5/27/2021

### Certificates

---

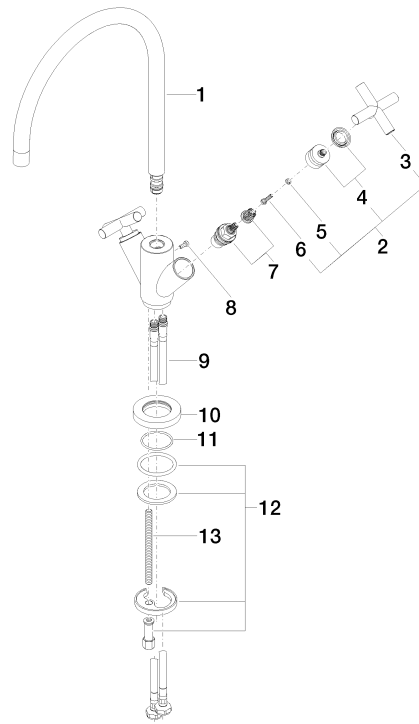
IAPMO\_N-4

IAPMO\_6

## TARA Single-hole mixer - Brushed Chrome

22 815 892 Product version from 5/27/2021

Parts for other finishes can be found here: [Chrome](#)



### Spare parts list

Number	Item Number	Designation	Number of units	Lead time
1	90 28 22 226 02-93	spout	1	20
2	90 20 89 010 10-93	handle	2	20
3	09 20 89 010-93	handle	2	60
4	90 12 12 007 00-93	base	2	20
5	90 30 11 029 00 90	disc	2	2
6	90 30 30 075 00 90	screw	2	2
7	90 90 03 151 00 90	top	2	2
8	09 30 30 054 90	screw	1	2
9	04 30 04 106 00 90	hose	2	2
10	09 28 10 132-93	ring	1	20
11	09 14 10 134 90	seal	1	2
12	04 30 11 038 00 90	fixing set	1	2
13	09 31 11 012 90	pin	1	2