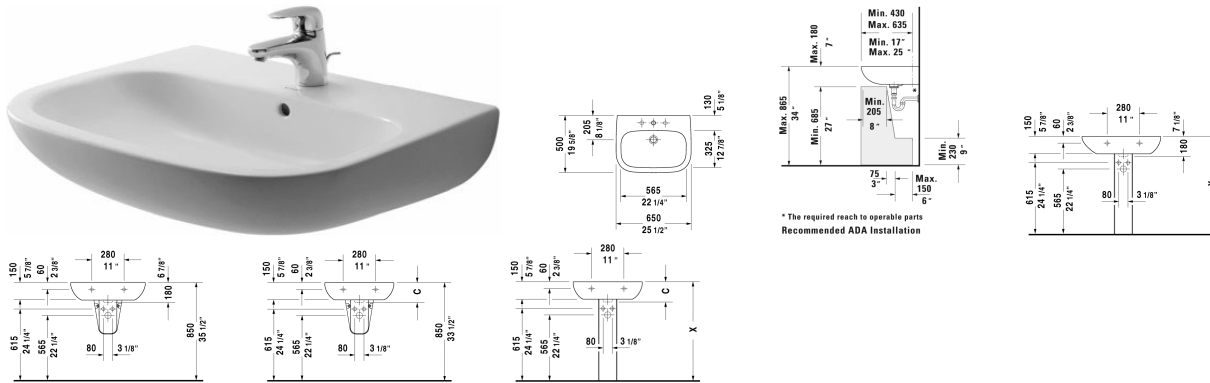


D-Code Washbasin ♂ # 23106500002 / 23106500302

< 25 5/8" Inch >



Washbasin	Dimension	Weight	Order number
with overflow, with faucet deck, underside fully glazed, hardware included, wall-mounted, cUPC® listed*, 25 5/8" Inch			
Colors			
00 White			
Variant			
●	25 5/8" x 19 5/8" Inch	47.5 lb	23106500002
● ● ●	25 5/8" x 19 5/8" Inch	47.5 lb	23106500302
Infobox			
* Complies with following standards: ASME A112.19.2/CSA B45.1, Washbasin is not ADA compliant in combination with pedestal, siphon cover or metal console			
Suitable products			
Siphon cover for # 231065, 231060, 231055, 034265, 034285, 034210, 034812,			085718
Pedestal for # 231065, 231060, 231055, 034265, 034285, 034210, 034812,			086327

All drawings contain the necessary measurements which are subject to standard tolerances. They are stated in inch & mm and are non-binding. Exact measurements, in particular for customized installation scenarios, can only be taken from the finished ceramic piece.