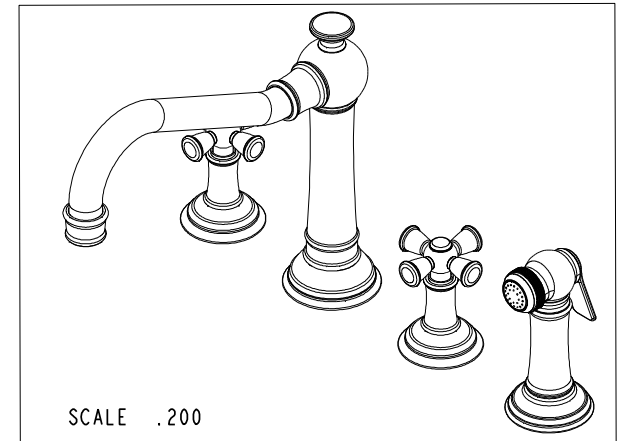
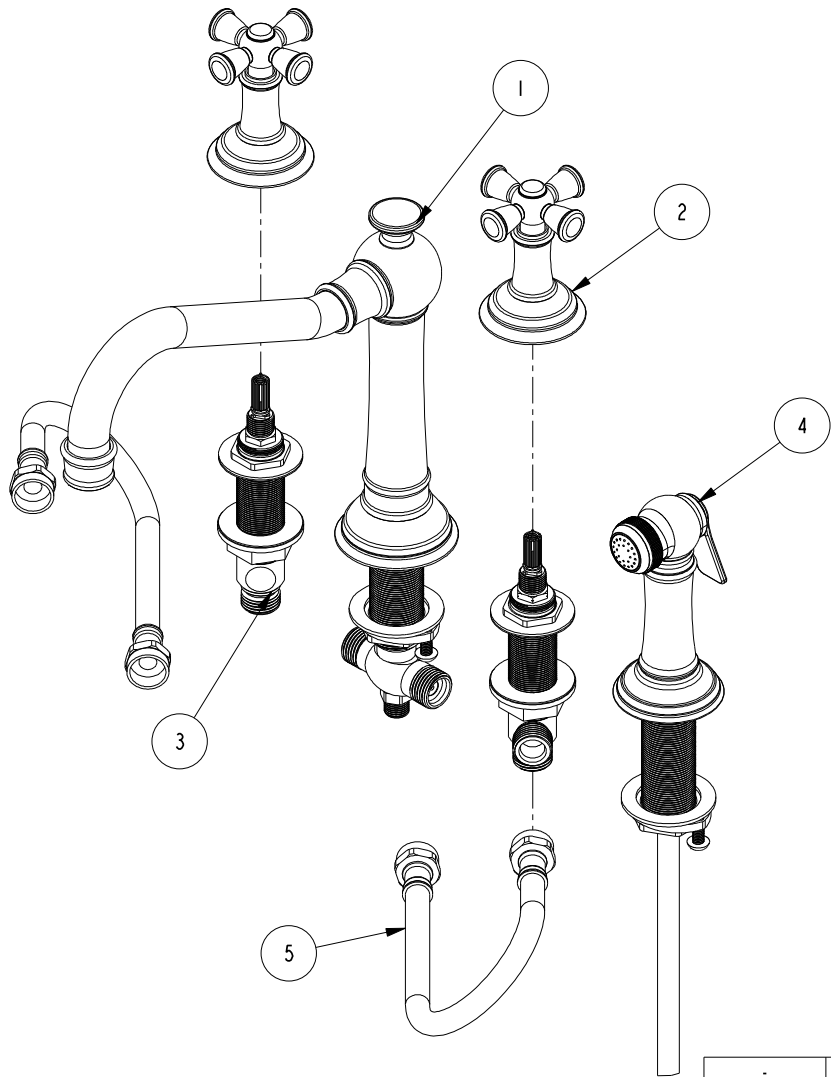


NOTES:

1. TO INSPECT ASSEMBLY, FOLLOW FIRST ARTICLE AND IN PROCESS INSPECTION SHEET.

BILL OF MATERIAL (CURRENT LEVEL)

ITEM	PT/ASSY	DESCRIPTION	TYPE	QTY.
1	3-687	3-HOLE SPOUT ASM	ASSEMBLY	1
2	3-374	CROSS HANDLE AND ESC. ASM	ASSEMBLY	2
3	1-525	W/S VALVE ASM	ASSEMBLY	1
4	2470-5703	JACOBAN SIDE SPRAY	ASSEMBLY	1
5	10376	FLEX HOSE 12 IN.	PART	2



ZONE	REV	DESCRIPTION	DATE	APPROVED
-	A	EN-4300gg	03/04/21	R. S.
-	-	EN-3981	10/02/19	J. M.

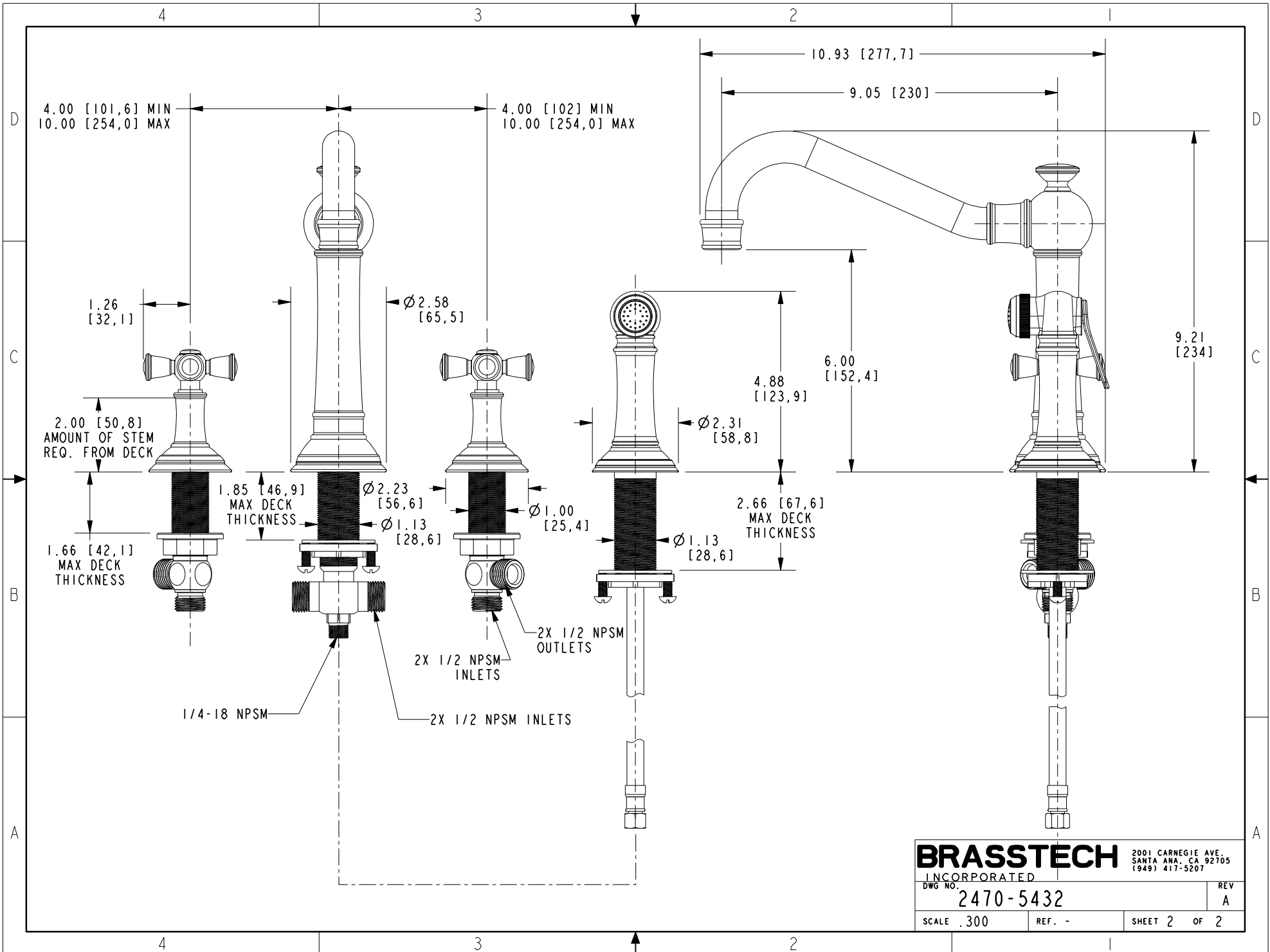
COPYRIGHT 2005 BRASSTECH, INC. THESE DRAWINGS AND THE DESIGNS DEPICTED HEREIN ARE THE PROPRIETARY PROPERTY OF BRASSTECH. ANY USE OR REPRODUCTION IS SUBJECT TO THE EXPRESS APPROVAL OF BRASSTECH. UNAUTHORIZED USE IS STRICTLY PROHIBITED. ALL RIGHTS RESERVED.

TESTING	-	-	-
ASSEMBLY	-	-	-
PLATING	-	-	-
POLISHING	-	NEXT ASSY	USED ON
MACHINING	-	APPLICATION	
TOOLING FIXTURE #	REMOVE ALL BURRS AND SHARP EDGES		

UNITS ARE: INCHES [MM]		
TOLERANCES ARE:		
FRACTIONS	DECIMALS	ANGLES
±1/16"	.X ±.1 [2.5]	±1°
	.XX ±.06 [1.5]	
(X.XXX) DENOTES CRITICAL DIMS. ALL THREADS ARE CRITICAL		
DRAWN	G.B.	10/02/19
CHECKED	J.M.	10/02/19
APPROVED	J.M.	10/02/19

BRASSTECH 2001 CARNEGIE AVE.
INCORPORATED SANTA ANA, CA 92705
(949) 417-5207

3-HOLE (CROSS) W/ SPRAY		
DWG NO.	2470-5432	REV A
SCALE .250	REF. -	SHEET 1 OF 2



BRASSTECH
 INCORPORATED
 2001 CARNEGIE AVE.
 SANTA ANA, CA 92705
 (949) 417-5207

DWG NO. 2470-5432
 SCALE .300
 REF. -
 SHEET 2 OF 2

REV A