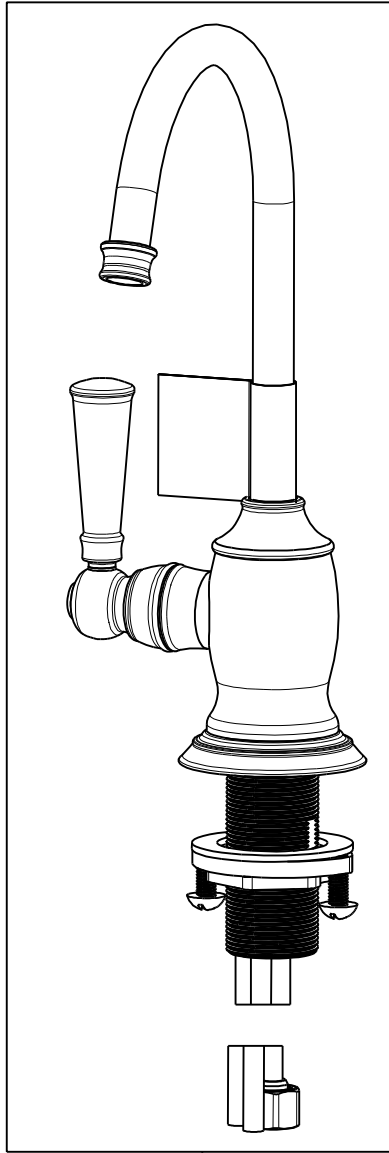


NOTES:

- (N1) 1. FIT / FORM / FUNCTION SHALL FOLLOW PS-E.008.
- 2 APPLY LOCTITE 680.
- 3 CUT AND SHORTEN O-RING BY .13" TO .20" IN LENGTH BEFORE INSTALLING.
- 4 SLIT O-RING BEFORE INSTALLING.
- 5 APPLY LIGHT FILM OF DOW CORNING III SILICONE COMPOUND.
- (N6) 6 CONNECT WHITE AND RED TUBINGS TOGETHER AND WATER TEST WHOLE UNIT.
- 7 BAG 5-035 IN A SEPARATE BAG.
- (N8) 8 REWORK CARTRIDGE ASSY IF THE HANDLE DOES NOT RETURN TO THE 'OFF' POSITION AUTOMATICALLY AFTER WATER TESTING.
- 9 INSTALLATION TORQUE: 8-14 LB-FT.
- 10 INSTALLATION TORQUE: 78 LB-IN +/-6 LB-IN.
- 11 LUBRICATE SPRING WITH DOW CORNING III SILICONE COMPOUND.
- 12 INSTALLATION TORQUE: 10-14 LB-IN.



BILL OF MATERIAL (CURRENT LEVEL)

ITEM	PT/ASSY	DESCRIPTION	TYPE	QTY.
1	1-393	1-1/8 18 UNEF MOUNTING KIT	ASSEMBLY	1
2	1-431	RED SUPPLY LINE	ASSEMBLY	1
3	1-432	BLUE SUPPLY LINE	ASSEMBLY	1
4	1-433	GREY SUPPLY LINE	ASSEMBLY	1
5	5-035	COUPLING & INSERT ASM	ASSEMBLY	1
6	5-061	ADAPTER/CARTRIDGE ASSY	ASSEMBLY	1
7	11728	LEVER, HANDLE	PART	1
8	11731	ESCUTCHEON	PART	1
9	11732	CAP, BODY, WATER DISP	PART	1
10	11733	SHELL, SPOUT, WATER DISP	PART	1
11	11734	BONNET	PART	1
12	11836	RETAINING RING	PART	1
13	12747	BODY HANDLE	PART	1
14	13070	RETAINER PLATE	PART	1
15	13283	WATER DISP. BODY H (TRAD)	PART	1
16	13289	NIPPLE	PART	1
17	50713	SPOUT, WATER DISP. (TRAD.)	PART	1
18	50714	WATER DISP. CAR.T HOLDER	PART	1
19	91017	O-RING, #2- 012, EPDM, 65-75 DURO, NSF 61	PART	2
20	91023	O-RING, #2- 019, EPDM, 65-75 DURO, NSF 61	PART	1
21	91382	O-RING, #2- 012, TEFLON,	PART	1
22	91383	O-RING, #2- 014, TEFLON, NSF 61	PART	1
23	91553	RED IDENTIFIER	PART	1
24	91762	O-RING, #2-132, EP, 50 DURO - GREY	PART	1
25	92016	SCRW, 10-24 X 3/4 SKT HD FLT PT SS	PART	1
26	92192	SCRW, 10-32 X 5/8 SKT HD CUP PT SS	PART	1
27	98043	TAG LABEL, HOT WATER WARNING	PART	1

ZONE	REV	DESCRIPTION	DATE	APPROVED
-	L	EN-3634A	11/22/19	C.G.
-	K	EN-3862	05/07/19	C.G.
-	J	EN-3722	02/08/19	C.G.
-	H	EN-3558a	01/02/19	V.V.
-	G	EN-3312	05/15/17	J.A
-	F	EN-3272	02/28/17	N.S
-	E	EN-2601	09/16/13	-
-	D	EN-2528	05/08/13	-
-	C	EN-2300	10/04/12	-
-	B	EN-2204	06/15/12	-
-	A	EN-2085	03/05/12	-
-	-	EN-1552-4	02/01/11	-

COPYRIGHT 2005 BRASSTECH, INC. THESE DRAWINGS AND THE DESIGNS DEPICTED HEREIN ARE THE PROPRIETARY PROPERTY OF BRASSTECH. ANY USE OR REPRODUCTION IS SUBJECT TO THE EXPRESS APPROVAL OF BRASSTECH. UNAUTHORIZED USE IS STRICTLY PROHIBITED. ALL RIGHTS RESERVED.

TESTING	-	-	-
ASSEMBLY	-	-	-
PLATING	-	-	-
POLISHING	-	NEXT ASSY	USED ON
MACHINING	-	APPLICATION	
TOOLING FIXTURE #	REMOVE ALL BURRS AND SHARP EDGES		

UNITS ARE: INCHES [MM]
TOLERANCES ARE:
FRACTIONS DECIMALS ANGLES
±1/16" .X ±.1 [2.5] ±1°
.XX ±.06 [1.5]

(X.XXX) DENOTES CRITICAL DIMS.
ALL THREADS ARE CRITICAL

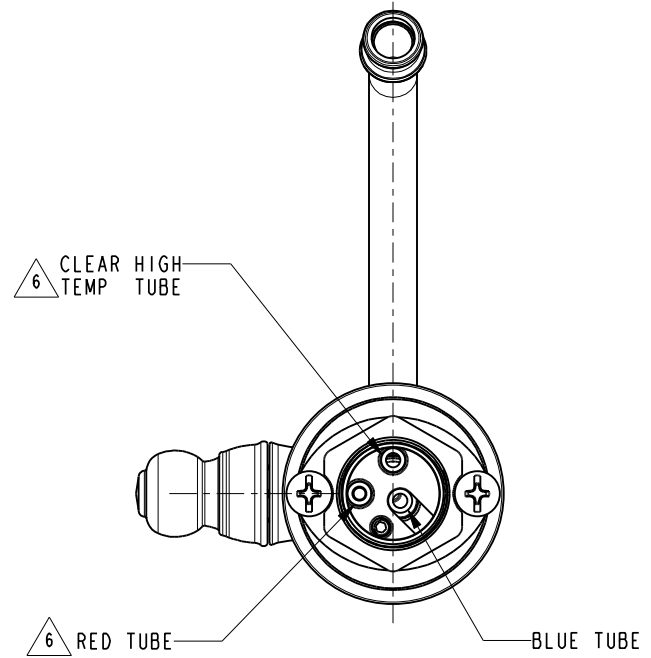
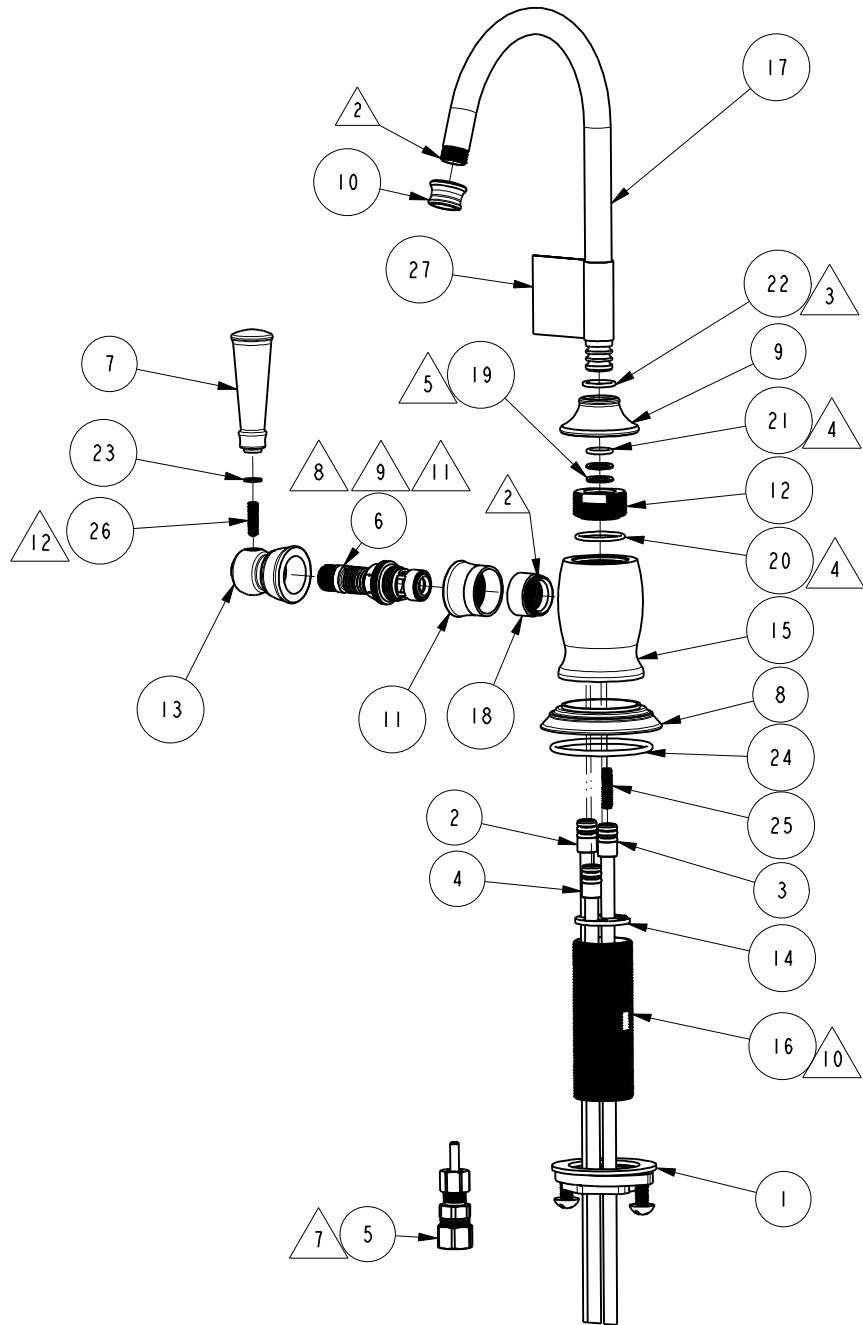
DRAWN	JINSON	11/22/19
CHECKED	C.G.	11/22/19
APPROVED	C.G.	11/22/19

BRASSTECH 2001 CARNEGIE AVE.
INCORPORATED SANTA ANA, CA 92705
(949) 417-5207

HOT WATER DISPENSER

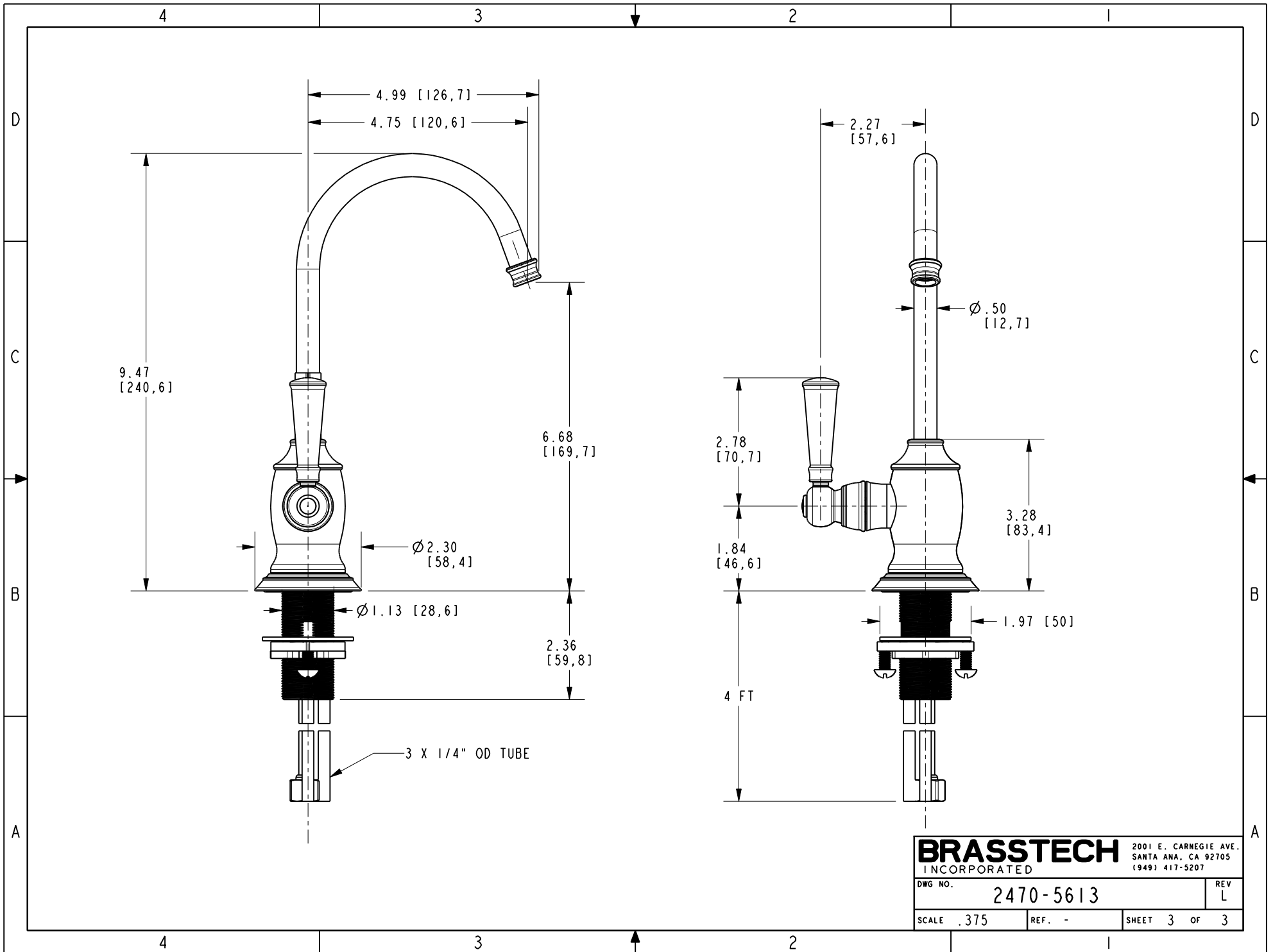
DWG NO. **2470-5613** REV **L**

SCALE .425 REF. - SHEET 1 OF 3



BOTTOM VIEW
SCALE .500

BRASSTECH		2001 E. CARNEGIE AVE. SANTA ANA, CA 92705 (949) 417-5207	
DWG NO.	2470-5613	REV	L
SCALE	.275	REF.	-
		SHEET	2 OF 3



BRASSTECH		2001 E. CARNEGIE AVE. SANTA ANA, CA 92705 (949) 417-5207	
DWG NO.	2470-5613	REV	L
SCALE	.375	REF.	-
SHEET 3		OF 3	