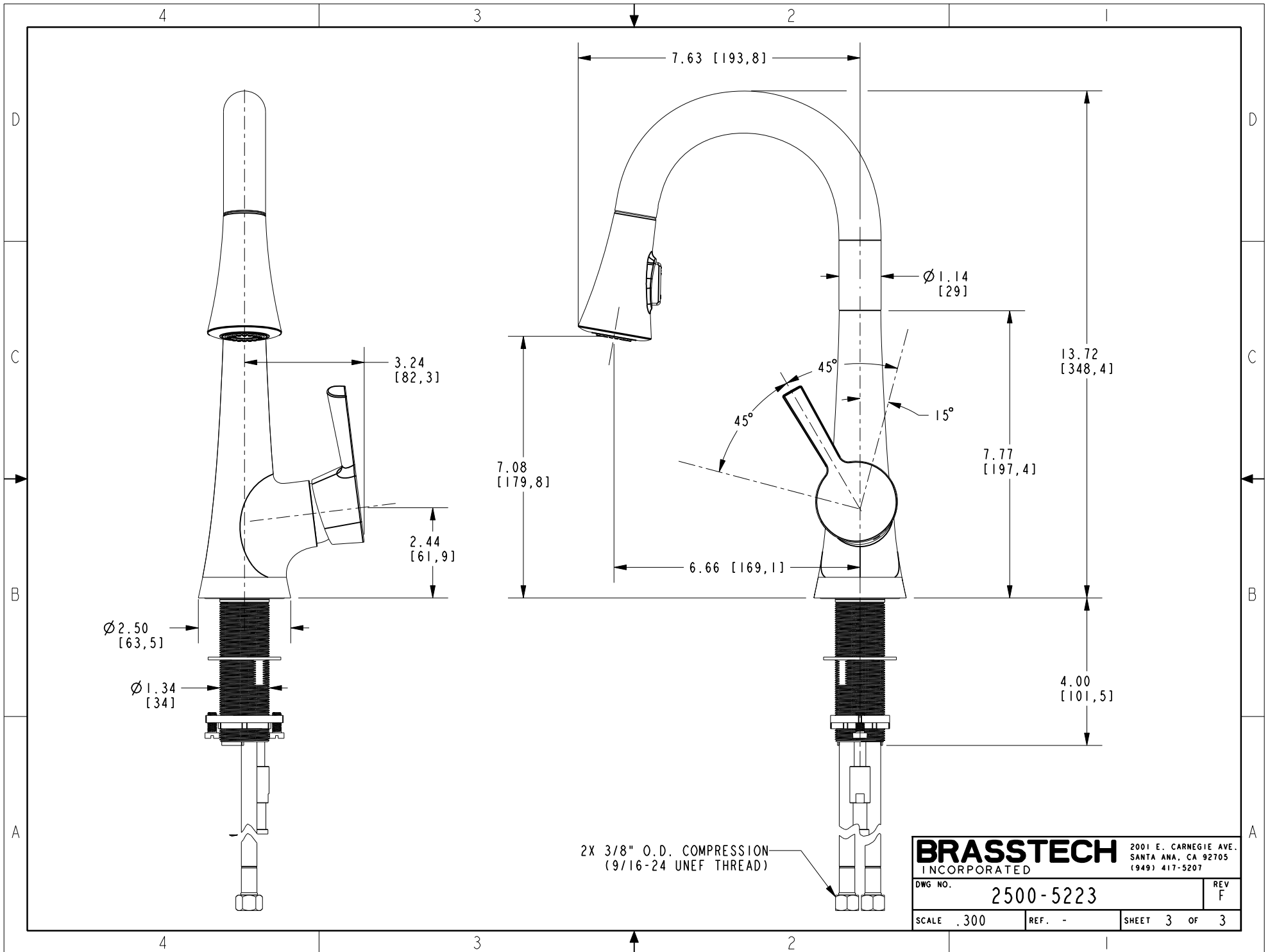


<b>BRASSTECH</b>		2001 E. CARNEGIE AVE.	
INCORPORATED		SANTA ANA, CA 92705	
DWG NO. 2500-5223		REV F	
SCALE .220	REF. -	SHEET 2 OF 3	



Ø 2.50  
[63,5]

Ø 1.34  
[34]

3.24  
[82,3]

2.44  
[61,9]

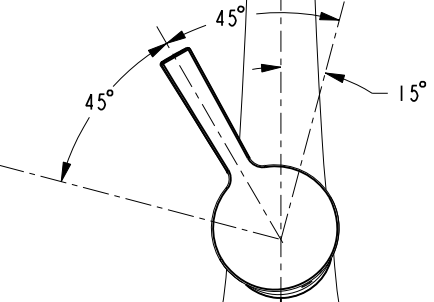
7.08  
[179,8]

7.63 [193,8]

Ø 1.14  
[29]

13.72  
[348,4]

7.77  
[197,4]



6.66 [169,1]

4.00  
[101,5]

2X 3/8" O.D. COMPRESSION  
(9/16-24 UNEF THREAD)

<b>BRASSTECH</b> INCORPORATED		2001 E. CARNEGIE AVE. SANTA ANA, CA 92705 (949) 417-5207	
DWG NO.	2500-5223		REV F
SCALE .300	REF. -	SHEET 3 OF 3	