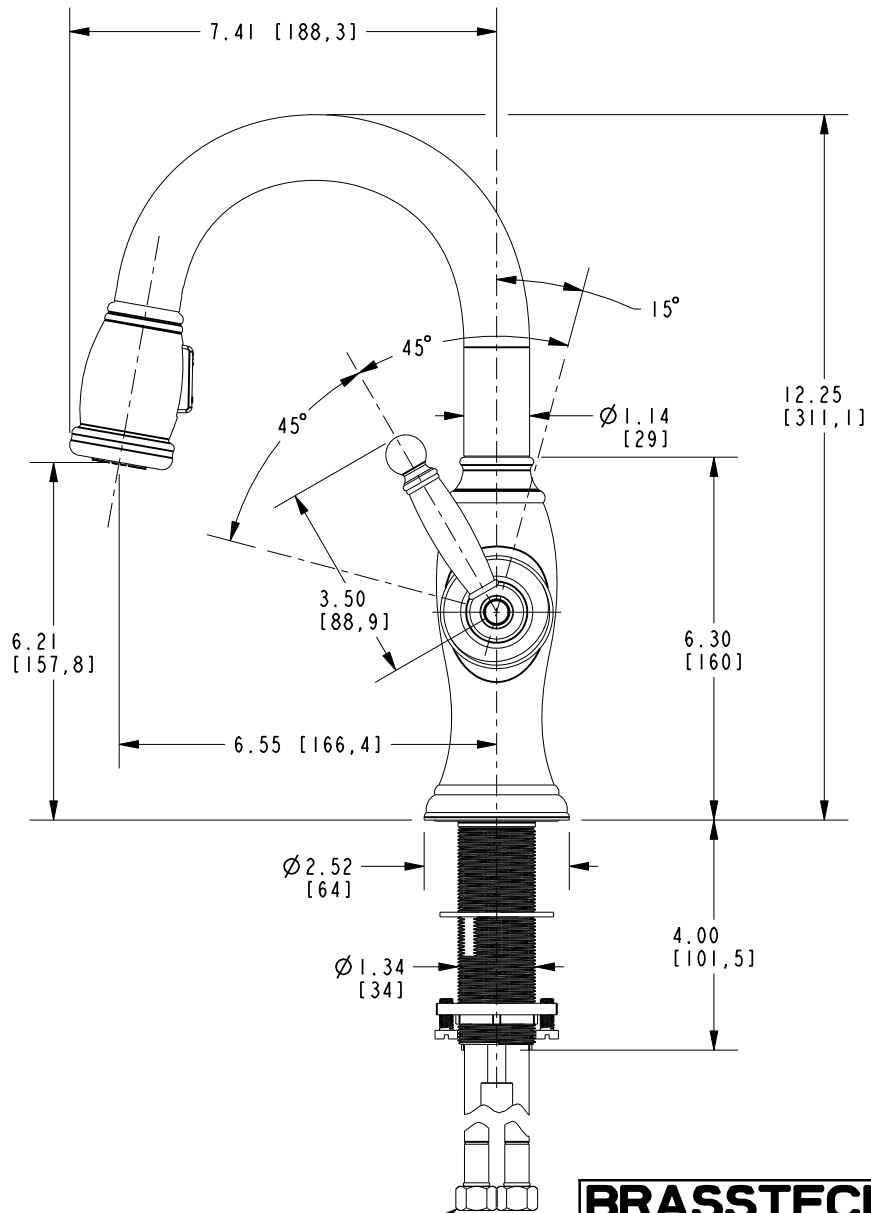
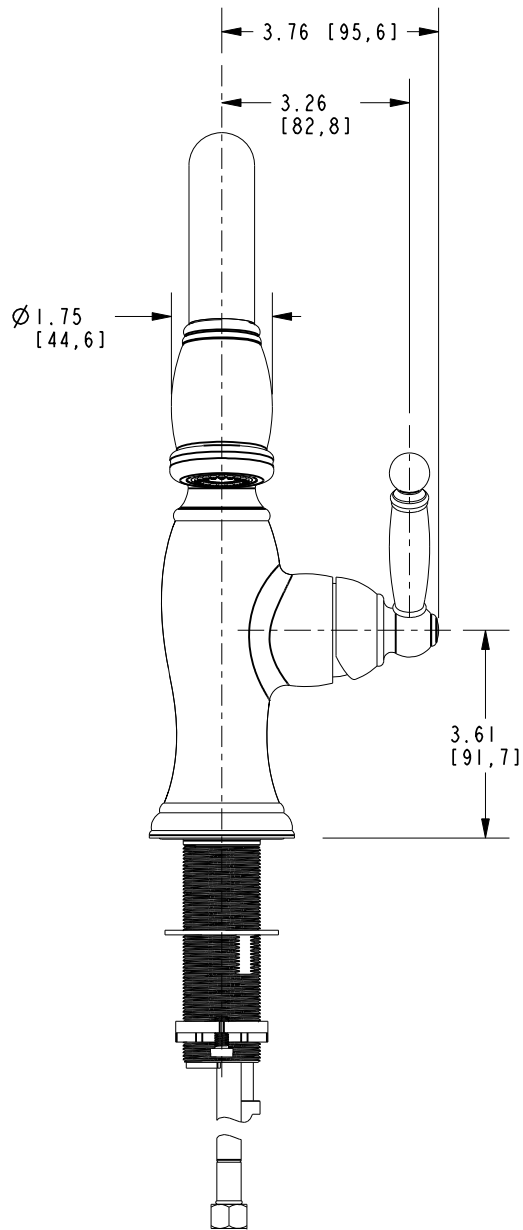


<b>BRASSTECH</b>		2001 E. CARNEGIE AVE. SANTA ANA, CA 92705 (949) 417-5207	
INCORPORATED			
DWG NO.	2510-5203		REV F
SCALE .225	REF. -	SHEET 2 OF 3	



2X 3/8" O.D. COMPRESSION  
 (9/16-24 UNEF THREAD)

<b>BRASSTECH</b>		2001 E. CARNEGIE AVE. SANTA ANA, CA 92705 (949) 417-5207	
DWG NO.	2510-5203	REV	F
SCALE .300	REF. -	SHEET 3	OF 3