

1 1/2" P Trap with Round Box Escutcheon

Model #: 253-

FEATURES:

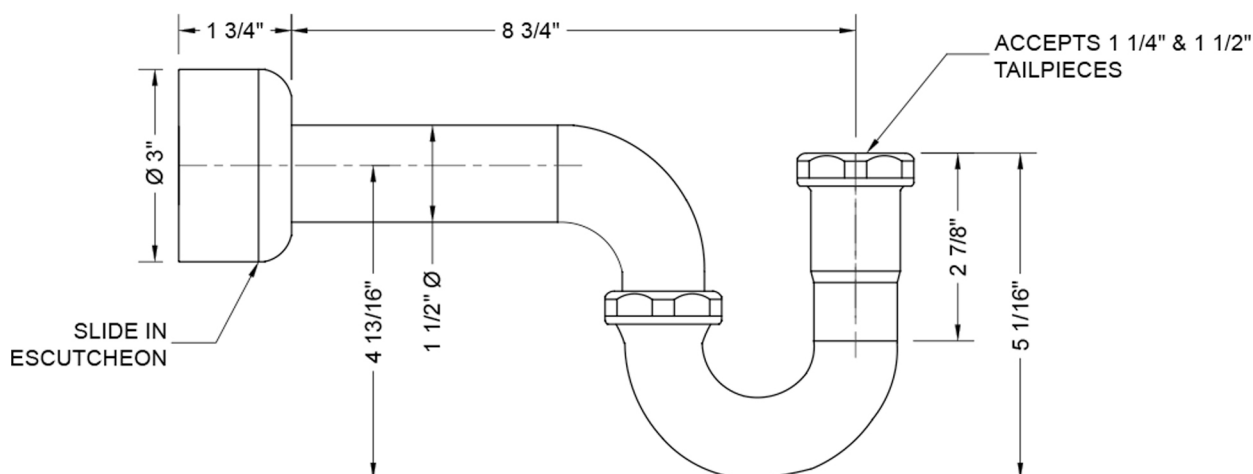
- 1 1/2" 17 gauge "P" trap with round box escutcheon
- Fits 1 1/2" or 1 1/4" drains, extension tubes & tailpieces
- All solid brass nuts, fully polished & plated



AVAILABLE FINISHES:

Polished Chrome (PCH)	Satin Chrome (SC)	Bronze Umber (BU)
Satin Nickel (SN)	Pewter (PEW)	Caramel Bronze (CB)
Polished Nickel (PN)	Antique Brass (AB)	Antique Copper (ACU)
Oil-Rubbed Bronze (ORB)	Polished Brass (PB)	Polished Copper (PCU)
Vintage Bronze (VB)	Satin Brass (SB)	Matte Black (MBK)
Satin Gold (SG)	Polished Gold (PG)	Black Nickel (BKN)
Bombay Gold (BG)	Jewelers Gold (JG)	Europa Bronze (EB)
White (WH)	Sedona Beige (SDB)	Tristan Brass (TB)
Unlacquered Brass (ULB)	Satin Cooper (SCU)	

SPECIFICATION DRAWING:



COMPLIANCES:

Complies with: ASME A112.18.2-2015/CSA B125.2-15