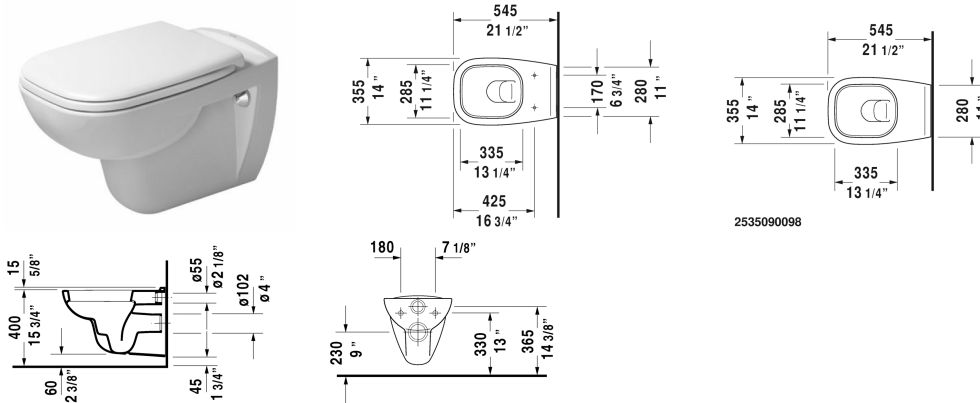


**D-Code Toilet wall-mounted ♿ # 253509..922 / 253509..922**

| < 14" Inch > |



Toilet wall-mounted	Dimension	Weight	Order number
washdown model, cUPC® listed*			
<b>Colors</b>			
00 White 20 HygieneGlaze (an antibacterial ceramic glaze that provides almost indefinite effectiveness)			
<b>Variant</b>			
♣ 1.6/0.8 gpf	14" x 21 1/2" Inch	44.1 lb	253509..922
♣ 1.6/0.8 gpf	14" x 21 1/2" Inch	44.1 lb	253509..922
<b>Infobox</b>			
* Complies with following standards: ASME A112.19.2/CSA B45.1 and ASME A112.19.14, In-wall tank & carrier and actuator plate required for installation / Refer to page XXX, Wall-mounted toilet is ADA compliant, when installed with a seat height of 17" - 19" from the finished floor			
Noise reduction gasket for wall-mounted toilet		0.7 lb	005020
<b>Suitable products</b>			
Toilet seat and cover hinges plastic, with slow close,			006739

All drawings contain the necessary measurements which are subject to standard tolerances. They are stated in inch & mm and are non-binding. Exact measurements, in particular for customized installation scenarios, can only be taken from the finished ceramic piece.