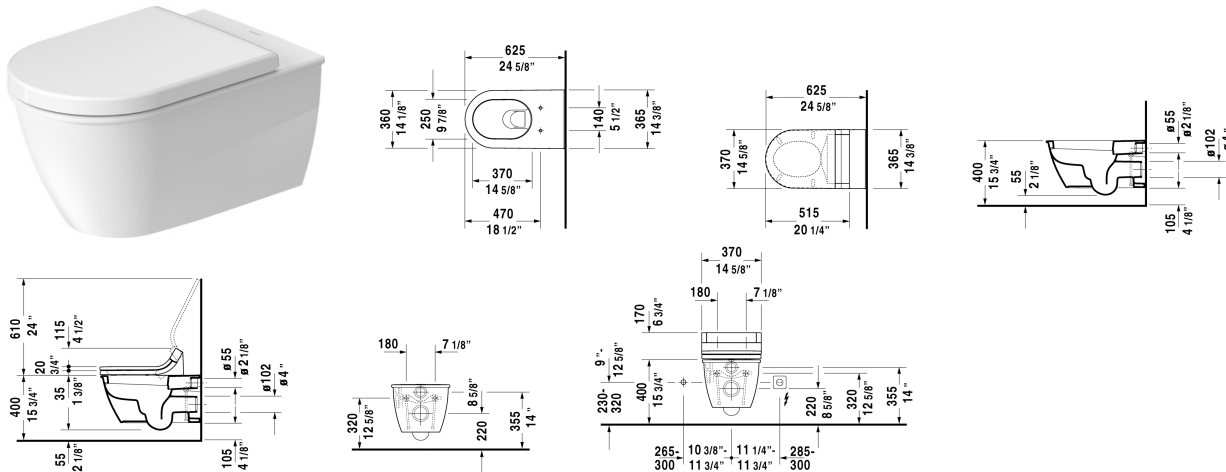


Darling New Toilet wall-mounted ☺ # 254409..92 / 254409..92

< 14 3/5" Inch >



| Toilet wall-mounted | Dimension | Weight | Order number |
|--|------------------------|---------|--------------|
| washdown model, Durafix included, suitable for SensoWash Starck, cUPC® listed* | | | |
| Colors | | | |
| 00 White 20 HygieneGlaze (an antibacterial ceramic glaze that provides almost indefinite effectiveness) | | | |
| Variant | | | |
| ♣ 1.6/0.8 gpf | 14 3/5" x 24 5/8" Inch | 60.4 lb | 254409..92 |
| ♣ 1.6/0.8 gpf | 14 3/5" x 24 5/8" Inch | 60.4 lb | 254409..92 |
| Infobox | | | |
| * Complies with following standards: ASME A112.19.2/CSA B45.1 and ASME A112.19.14, Durafix for concealed installation is included, Wall-mounted toilet is ADA compliant, when installed with a seat height of 17" - 19" from the finished floor, In-wall tank & carrier and actuator plate required for installation / Refer to page XXX, For suitable SensoWash® shower-toilet seats, please see matrix on page xxx | | | |
| Sanitary ceramics with the special WonderGliss surface finish will remain clean and attractive-looking for a long time to come. When ordering WonderGliss please add a "1" as eleventh digit to the model number. | | | |
| Sigma 01 flush plate, dual flush for toilets, White | 9 5/8" x 6 1/2" Inch | | 115770 |
| Geberit in-wall tank and carrier for toilets | 19 3/4" x 3 1/8" Inch | 37.5 lb | 111798 |
| Geberit in-wall tank and carrier for toilets | 19 3/4" x 5 1/2" Inch | 40.8 lb | 111335 |
| Noise reduction gasket for wall-mounted toilet | | 0.7 lb | 005064 |

Darling New Toilet wall-mounted  # 254409..92 / 254409..92

| < 14 3/5" Inch > |

Suitable products

| | | |
|---|-------------------------------|---------------|
| <p>SensoWash® Starck shower-toilet seat for Starck 2, Starck 3 and Darling New* Rear-, Lady- and Comfortwash, individual adjustment of water-, air- and seat surface temperature as well as nozzle position and jet strength, power actuated lid and seat, night light, 2 individually programmable user profiles, remote control included, self-cleaning wand, on / off-button, Quick release: easy seat unit removal and attachment, 14 5/8" x 20 1/4" Inch</p> | <p>14 5/8" x 20 1/4" Inch</p> | <p>610000</p> |
| <p>Toilet seat ring elongated, open front, hinges plastic, without slow close,</p> | | <p>006431</p> |
| <p>Toilet seat ring elongated, open front, hinges plastic, with slow close,</p> | | <p>006439</p> |
| <p>Toilet seat and cover elongated, hinges stainless steel, without slow close,</p> | | <p>006332</p> |
| <p>Toilet seat and cover elongated, hinges stainless steel, removable, with slow close,</p> | | <p>006339</p> |

All drawings contain the necessary measurements which are subject to standard tolerances. They are stated in inch & mm and are non-binding. Exact measurements, in particular for customized installation scenarios, can only be taken from the finished ceramic piece.