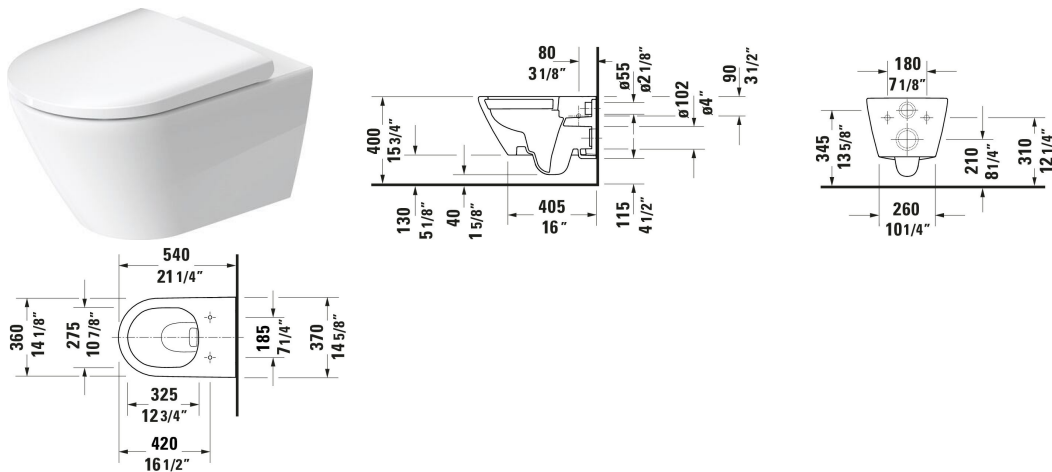


**D-Neo Wall Mounted Toilet # 257709..92 / 257709..92**

| &lt; 14 5/8 " &gt; |



Wall Mounted Toilet	Dimension	Weight	Order number
Flush water quantity: 1.2/0.8 gal, Washdown model, Flushing rim: Rimless, Flush system: washdown model, Outlet horizontal, Concealed fixation, ADA: Yes, cUPC listed: Yes			
<b>Colors</b>			
00 White 20 HygieneGlaze (an antibacterial ceramic glaze that provides almost indefinite effectiveness)			
<b>Variant</b>			
White High Gloss, Flush water quantity: 1.28/0.8 gal, WaterSense: Yes	14 5/8 "x14 1/8 "	51.147 lb	257709..92
White High Gloss, Flush water quantity: 1.28/0.8 gal, WaterSense: Yes	14 5/8 "x14 1/8 "	51.147 lb	257709..92
<b>Accessory for ceramics</b>			
Mounting Bracket Suitable for Bidet, Wall Mounted Toilet	Ø 1/2 "	0.617 lb	006500
<b>Spare parts</b>			
Noise reduction gasket	16 1/2 x 15 3/8 "	0.441 lb	005090
<b>Suitable products</b>			
Toilet Seat Slow close: No, Hinge material: Stainless Steel, 14 3/4 x 17 3/8 "	14 3/4 x 17 3/8 "		002161
Toilet Seat Slow close: Yes, Hinge material: Stainless Steel, 14 3/4 x 17 3/8 "	14 3/4 x 17 3/8 "		002169
Actuator Plate A1 Plastic, Dual Flush, Trip lever type: Mechanical, Flush operation technology: Manual, Installation Type: surface mounted, Includes mounting frame, including mounting kit, Includes push rod, 8 1/2 x 3/8 "	8 1/2 x 3/8 "		WD5008

**D-Neo Wall Mounted Toilet # 257709..92 / 257709..92**

|< 14 5/8 " >|

In-Wall Tank & Carrier Standard Includes HDPE toilet wall-mounted outlet bend DN 90/90, Powder-coated, Installation Type: In lightweight stand construction, Installation Type: Drywall, Max. projection toilet: 24 5/8 ", Adjustable height: 9 1/2 ", Trip lever type: Mechanical, Trip lever placement: Front, Adjustable flush volumes, Flush type: Dual Flush, Insulated tank, Self-supporting, Suitable for panelling with plasterboards, 23 1/4 x 3 1/2 "

WD1022

*All drawings contain the necessary measurements which are subject to standard tolerances. They are stated in inch & mm and are non-binding. Exact measurements, in particular for customized installation scenarios, can only be taken from the finished ceramic piece.*