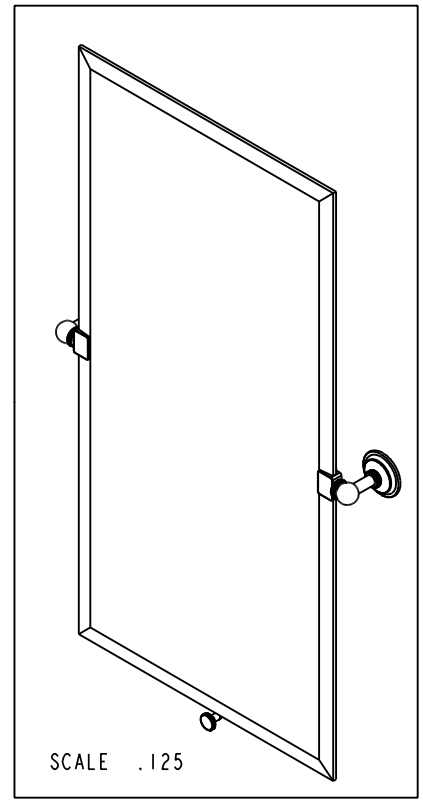


1 LOCATION OF VHB TAPE

2 APPLY PALMER MIRROR MASTIC

BILL OF MATERIAL (CURRENT LEVEL)

ITEM	PT/ASSY	DESCRIPTION	TYPE	QTY.
1	C2641	15" x 30" MIRROR GLASS	PART	1
2	91477	ADHESIVE BACKED BUMPER	PART	2
3	2641-FPA	FINGER PULL	ASSEMBLY	1
4	2641B	LONDON TER MIRROR BRACKETS	ASSEMBLY	1
5	2641SC	SUPPORT CHANNEL	PART	1
6	91462	VHB TAPE 1" X 1 1/2" LONG	PART	2



COPYRIGHT 2005 GINGER. THESE DRAWINGS AND THE DESIGNS DEPICTED HEREIN ARE THE PROPRIETARY PROPERTY OF GINGER. ANY USE OR REPRODUCTION IS SUBJECT TO THE EXPRESS APPROVAL OF GINGER. UNAUTHORIZED USE IS STRICTLY PROHIBITED. ALL RIGHTS RESERVED.

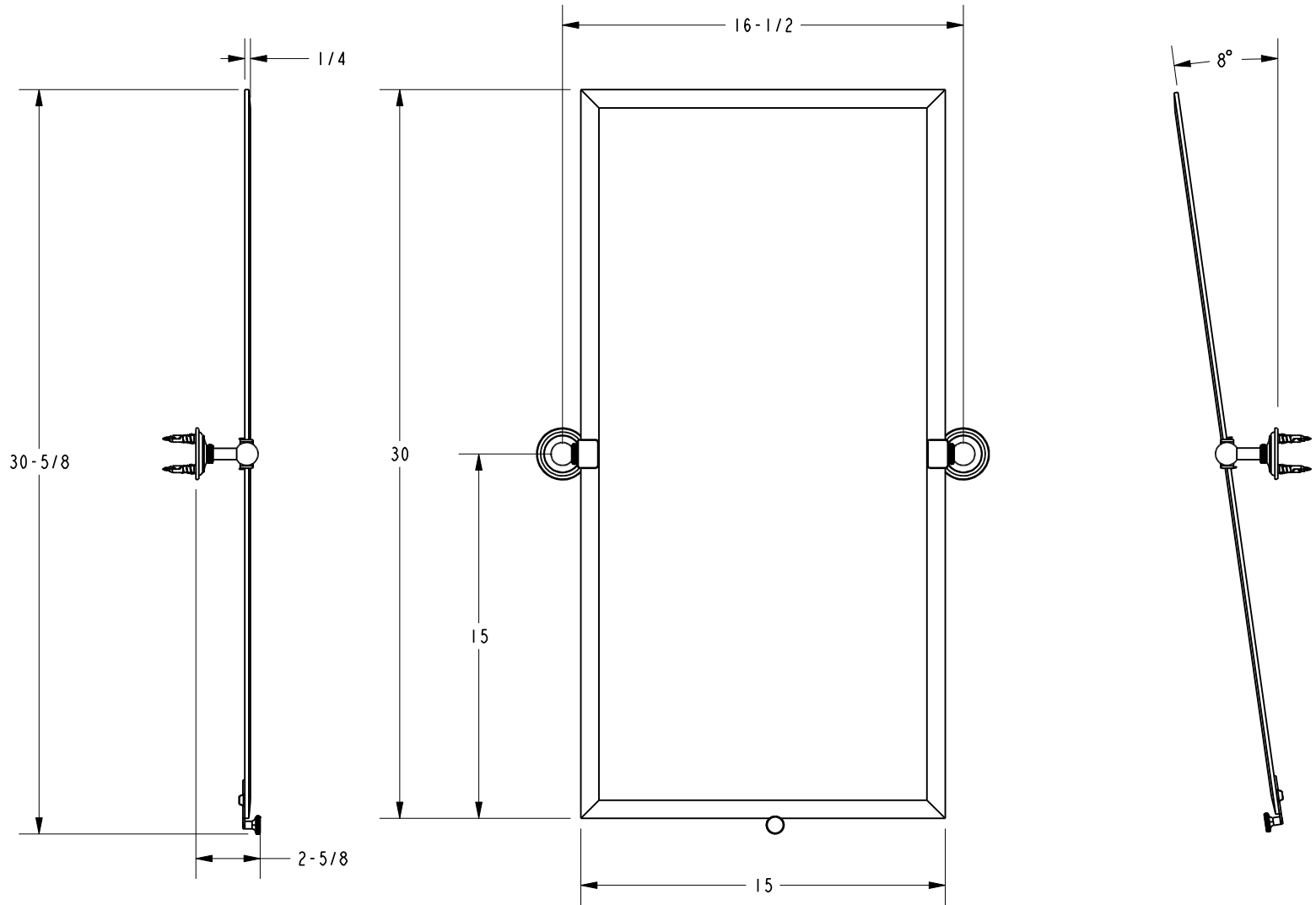
GINGER

2001 E. CARNEGIE AVE.
SANTA ANNA CA 92705
(949) 417-5207

SMALL MIRROR GLASS ASSEMBLY

ASSY. NO. 2641		B	EN-2148	04/30/12
SCALE .150		A	EN-1477	02/19/10
REF. -	SHEET 1 OF 2	REV	REV DESC	DATE

SPECIFICATION DWG



DIMENSIONS ARE IN INCHES AND AN APPROXIMATION OF A TYPICAL INSTALLATION

COPYRIGHT 2005 GINGER. THESE DRAWINGS AND THE DESIGNS DEPICTED HEREIN ARE THE PROPRIETARY PROPERTY OF GINGER. ANY USE OR REPRODUCTION IS SUBJECT TO THE EXPRESS APPROVAL OF GINGER. UNAUTHORIZED USE IS STRICTLY PROHIBITED. ALL RIGHTS RESERVED.

GINGER		2001 CARNEGIE AVE. SANTA ANA CA 92705 (949) 417-5207	
DWG NO.	2641	REV	B
SCALE	.150	REF.	-
SHEET 2		OF 2	