

## TARA Slide bar set without hand shower - Matte Black

26 413 892 Product version from 4/1/2024



- Slide bar
- Pipe diameter 3/4"
- Flanges, diameter 2-1/8"
- Center to center 31-1/2"
- Metal shower hose 68-7/8" with anti-twist device
- Shower hose connection 3/8"

This article does not include a hand shower!

NOTE: Hand shower sold separately. Please see hand shower options under the miscellaneous articles section of each series.

	Matte Black	26 413 892-33
	Chrome	26 413 892-00
	Brushed Platinum	26 413 892-06
	Platinum	26 413 892-08
	Dark Chrome	26 413 892-19
	Brushed Durabronze (23kt Gold)	26 413 892-28
	Brushed Bronze	26 413 892-42
	Brushed Champagne (22kt Gold)	26 413 892-46
	Champagne (22kt Gold)	26 413 892-47
	Brushed Chrome	26 413 892-93
	Brushed Dark Platinum	26 413 892-99

### Recommended article

	<b>Rough-in adapter -</b> •Please order rough-in adapter 35 080 970-90 0010 if installed with wall elbow.	35 080 970-90 0010
--	--	--------------------

### Required article

	<b>Hand shower FlowReduce - Matte Black</b>	28 016 979-33 0010
--	---	--------------------

### Required article

	<b>Hand shower FlowReduce - Matte Black</b>	28 018 979-33 0010
--	---	--------------------

### Required article

	<b>SERIES-VARIOUS Hand shower FlowReduce - Matte Black</b>	28 027 979-33 0010
--	--	--------------------

### Recommended article

	<b>Wall elbow - Matte Black</b>	28 450 625-33
--	---------------------------------	---------------

### Required article

	<b>Hand shower FlowReduce - Matte Black</b>	28 012 979-33 0010
--	---	--------------------

### Required article

	<b>SERIES-VARIOUS Hand shower FlowReduce - Matte Black</b>	28 029 979-33 0010
--	--	--------------------

### Required article

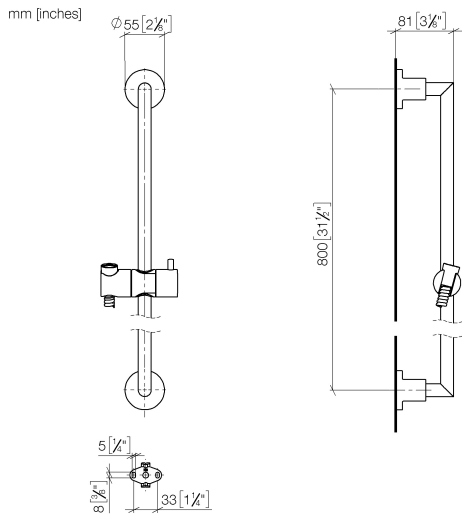
	<b>SERIES-VARIOUS Hand shower FlowReduce - Matte Black</b>	28 025 979-33 0010
--	--	--------------------



## TARA Slide bar set without hand shower - Matte Black

---

26 413 892 Product version from 4/1/2024



### Codes & Standards

---

ASME A112.18.1

cUPC

Scottish Water  
Byelaws

UK Water Supply  
Regulations

XP P 41-280

### Certificates

---

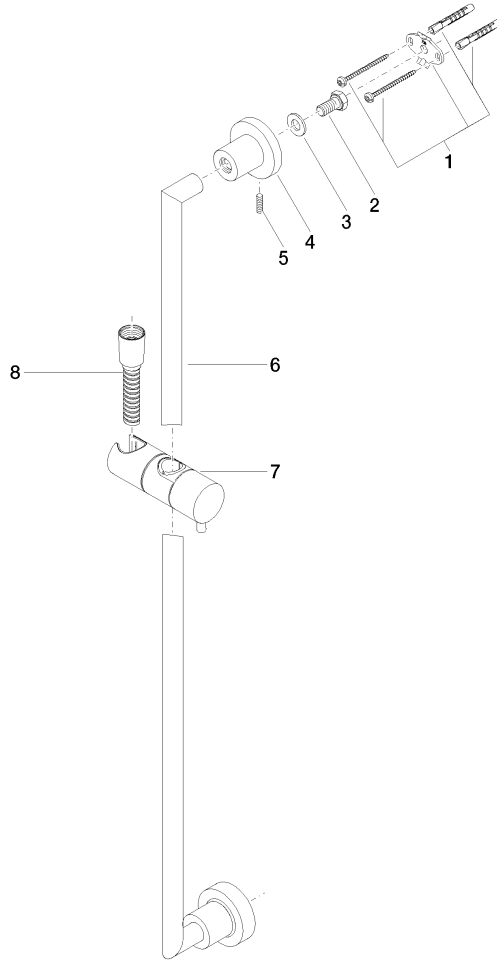
WRAS\_2009

ACS\_20 ACC LY

IAPMO\_4976

**TARA Slide bar set without hand shower - Matte Black**

26 413 892 Product version from 4/1/2024



**Spare parts list**

Number	Item Number	Designation	Number of units	Lead time
1	05 17 20 739 00 90	fixing set	2	2
2	09 30 30 071 90	screw	2	2
3	09 30 11 046 90	disc	2	2
4	08 17 89 505-33	holder	2	30
5	04 31 11 113 00 90	pin	2	2
6	05 28 22 590 00-33	bar	1	30
7	12 580 970-33	Slider - Matte Black	1	10
8	28 322 970-33	Metal shower hose 1/2" x 3/8" x 68-7/8" - Matte Black	1	2