

Bath - Madison

Bath shower set for bath rim or tile edge installation - polished chrome

Article number: 27 502 360-00



- 225 mm projection
- complete hand shower set: normal flow
- spout: circular, air-enriched flow
- complete hand shower set with anti-scale system
- automatic bath/shower diverter
- height of mixer 185 mm
- height up to aerator 140 mm
- hole diameter valve 32 mm
- hole diameter spout 32 mm
- hole diameter for complete hand shower set 32 mm
- rosette for complete hand shower set Ø 55mm
- rosette for deck valve Ø 55mm
- metal shower hose 1750mm with integrated anti-twist protection
- max. spout flow rate 23 l/min
- max. hand shower flow 6.8 l/min
- Fittings group as per DIN 4109: 1
- Intrinsic protection against back flow.



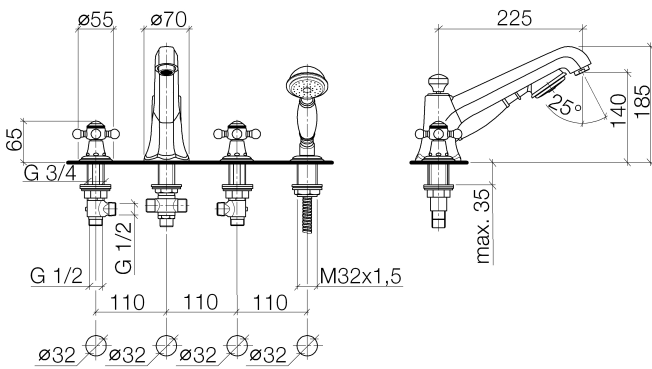
polished chrome

Bath - Madison

Bath shower set for bath rim or tile edge installation - polished chrome

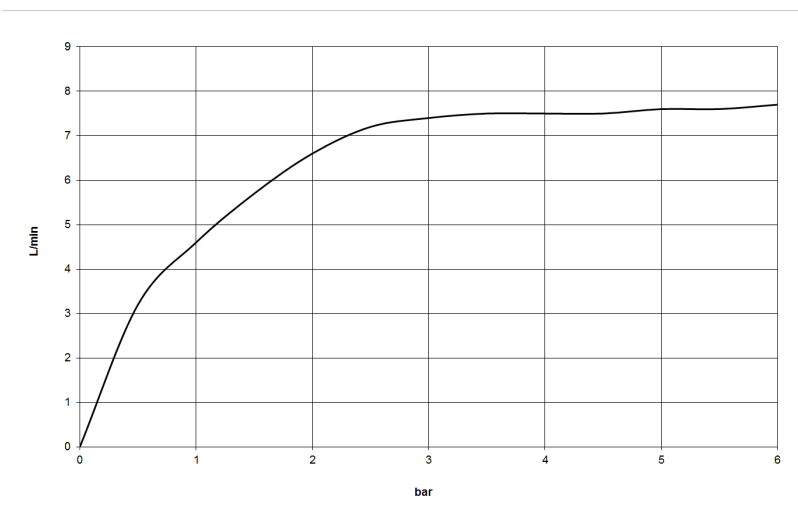
Article number: 27 502 360-00

Dimensional drawing



All details in mm / inch = mm x 0.0394

Flow rate chart





Bath - Madison

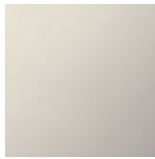
Bath shower set for bath rim or tile edge installation - polished chrome

Article number: 27 502 360-00

Other finish variants



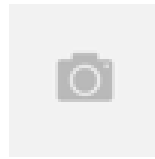
platinum matt
27 502 360-06



platinum
27 502 360-08



Durabrass
27 502 360-09

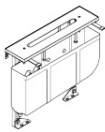


brushed Durabrass
27 502 360-28



Dark Platinum matt
27 502 360-99

Other finishes on request (x-tra Service)



12 614 970 90
Perfecto installation kit -



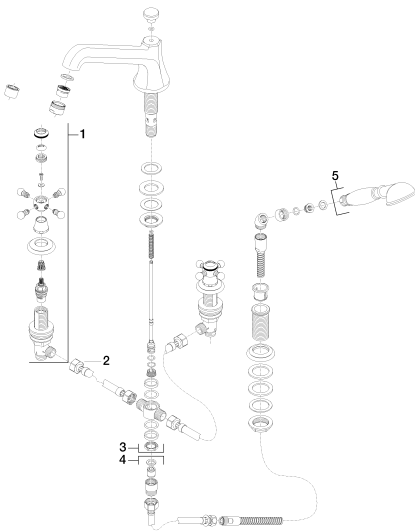
12 801 970-00
Decorative caps for Perfecto -
polished chrome

Bath - Madison

Bath shower set for bath rim or tile edge installation - polished chrome

Article number: 27 502 360-00

Spare parts list



No.	Item Number	Name	Quantity used
1	20 000 360-00	Deck valve clockwise closing cold or hot - polished chrome	2
2	12 502 970 90	High pressure hose 1/2" x 1/2" x 400 mm -	2
3	13 502 380-00	bath spout with diverter for deck mounting - polished chrome	1
4	27 703 360-00	Hand shower set for bath rim or tile edge installation - polished chrome	1