

TARA Bath shower set for bath rim or tile edge installation - Dark Chrome

27 512 882



- spout: circular, air-enriched flow
- max. flow 23.5 l/min at 3 bar flow pressure
- Hand shower: COMPACT RAIN, max. flow rate 6.8 l/min (at 3 bar)
- complete hand shower set with anti-scale system
- 220mm projection
- with anti-scale system
- automatic bath/shower diverter
- height of mixer 290 mm
- height up to aerator 135 mm
- hole diameter valve 32 mm
- hole diameter spout 32 mm
- hole diameter for complete hand shower set 32 mm
- rosette for spout Ø 55mm
- rosette for complete hand shower set Ø 50mm
- rosette for deck valve Ø 55mm
- metal shower hose 1750mm with integrated anti-twist protection

Available with 260 mm or 300 mm projection on request (x-TRA SERVICE).

Intrinsic protection against back flow.

| | | |
|--|--------------------------------|---------------|
| | Dark Chrome | 27 512 882-19 |
| | Chrome | 27 512 882-00 |
| | Brushed Platinum | 27 512 882-06 |
| | Platinum | 27 512 882-08 |
| | Brushed Durabronze (23kt Gold) | 27 512 882-28 |
| | Matte Black | 27 512 882-33 |
| | Brushed Bronze | 27 512 882-42 |
| | Brushed Champagne (22kt Gold) | 27 512 882-46 |
| | Champagne (22kt Gold) | 27 512 882-47 |
| | Brushed Chrome | 27 512 882-93 |
| | Brushed Dark Platinum | 27 512 882-99 |

Recommended miscellaneous



Perfecto installation kit -

12 614 970 90

Recommended miscellaneous



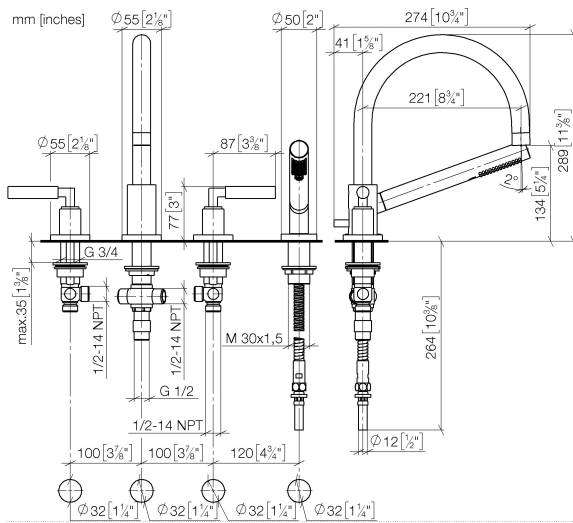
Decorative caps for Perfecto - Dark Chrome

12 801 970-19

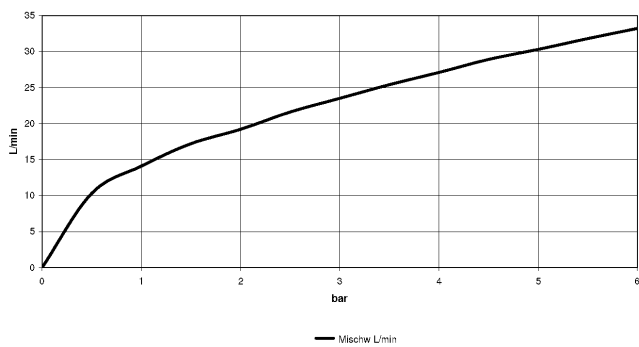
• 1 pair

TARA Bath shower set for bath rim or tile edge installation - Dark Chrome

27 512 882



Flow rate chart



Codes & Standards

ASME A112.18.1

cUPC

DIN 4109

ISO 3822

Ü-Zeichen



TARA Bath shower set for bath rim or tile edge installation - Dark Chrome

27 512 882

Certificates

IAPMO_4976

LGA_18

TARA Bath shower set for bath rim or tile edge installation - Dark Chrome

27 512 882

