

**AXOR Starck
Handshower Holder**

Finishes : Part no. : **27515340**



Features

- Wall-mounted

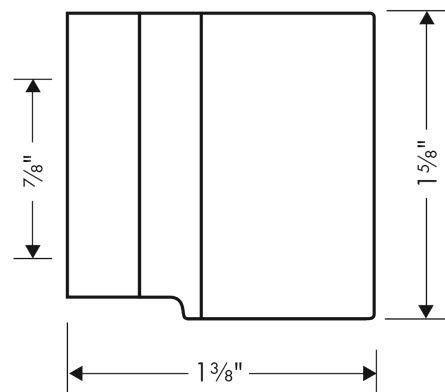
Item details

List Price

Product image



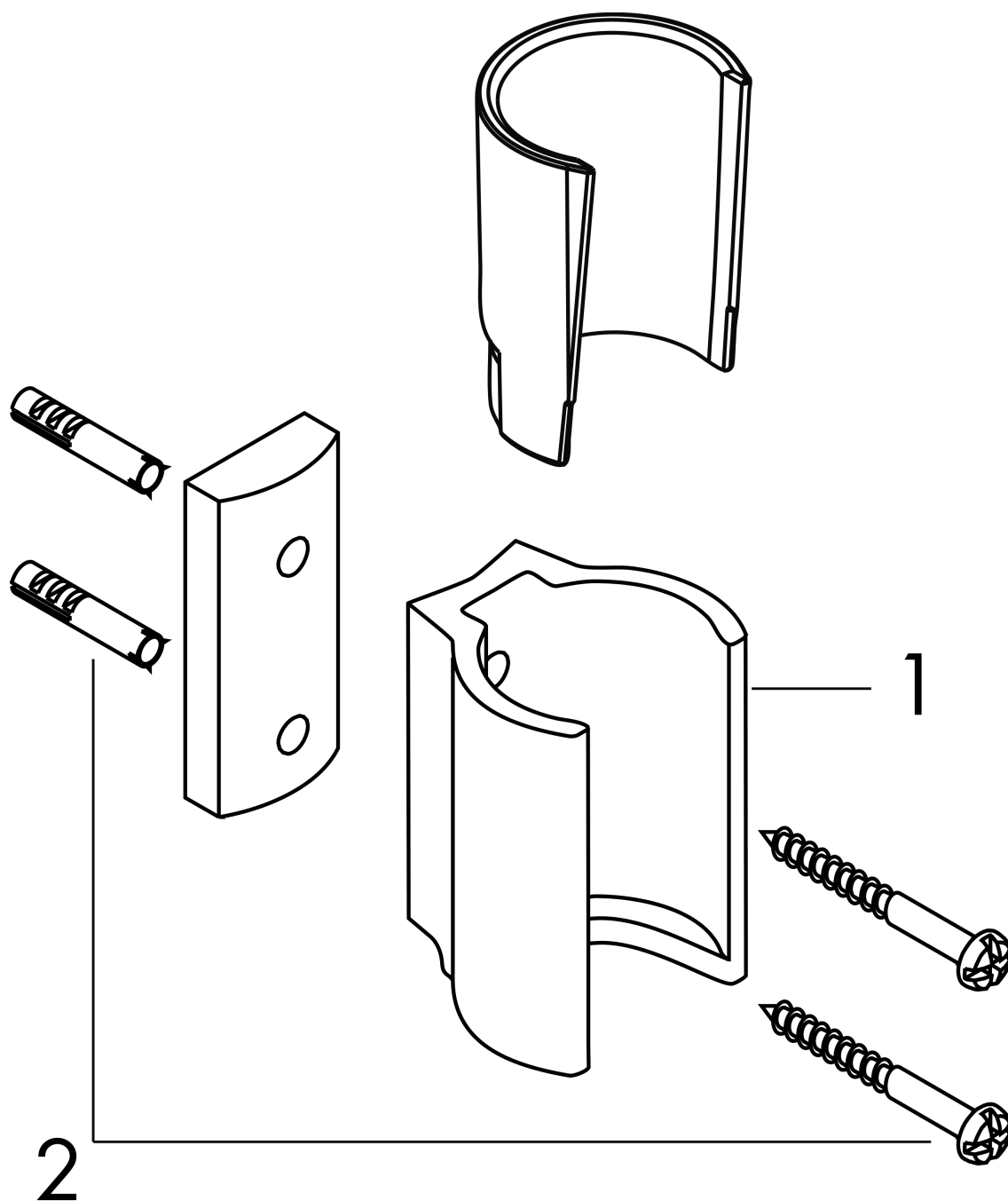
Scale drawing



AXOR Starck
Handshower Holder
Finishes : Part no. : 27515340

Exploded drawing

Year of production: >11/16



AXOR Starck
Handshower Holder
Finishes : Part no. : **27515340**

Spare parts list

Year of production: >11/16

Pos.		Part no.	Price	PU
1	shower holder, assy	96295340	-	1
2	mounting set	96179000	-	1