

**TARA Wall bracket - Brushed Champagne (22kt Gold)**

28 050 892 Product version from 4/1/2024

- Flange diameter 2-1/8"



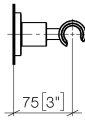
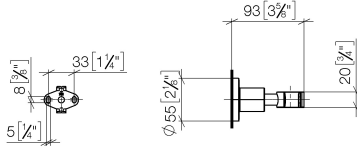
	Brushed Champagne (22kt Gold)	28 050 892-46
	Chrome	28 050 892-00
	Brushed Platinum	28 050 892-06
	Platinum	28 050 892-08
	Dark Chrome	28 050 892-19
	Brushed Light Gold	28 050 892-27
	Brushed Durabrass (23kt Gold)	28 050 892-28
	Matte Black	28 050 892-33
	Brushed Bronze	28 050 892-42
	Champagne (22kt Gold)	28 050 892-47
	Cyprum	28 050 892-49
	Brushed Chrome	28 050 892-93
	Brushed Dark Platinum	28 050 892-99

## TARA Wall bracket - Brushed Champagne (22kt Gold)

---

28 050 892 Product version from 4/1/2024

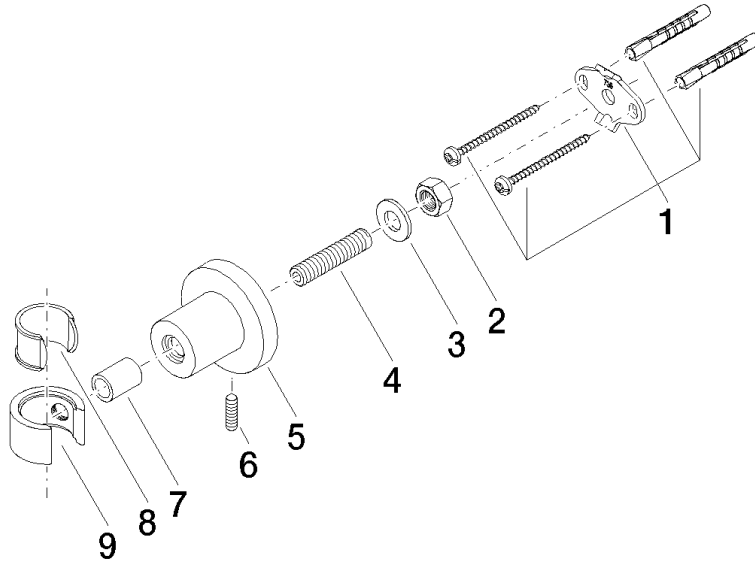
mm [inches]



## TARA Wall bracket - Brushed Champagne (22kt Gold)

28 050 892 Product version from 4/1/2024

Parts for other finishes can be found here: [Chrome](#)



### Spare parts list

Number	Item Number	Designation	Number of units	Lead time
1	05 17 20 739 00 90	fixing set	1	2
2	09 23 10 026 90	nut	1	2
3	09 30 11 046 90	disc	1	2
4	08 18 50 586 90	screw	1	2
5	08 17 89 505-46	holder	1	30
6	04 31 11 113 00 90	pin	1	2
7	08 17 20 624-46	holder	1	30
8	90 18 40 035 00 90	sleeve	1	2
9	09 17 20 014-46	holder	1	30