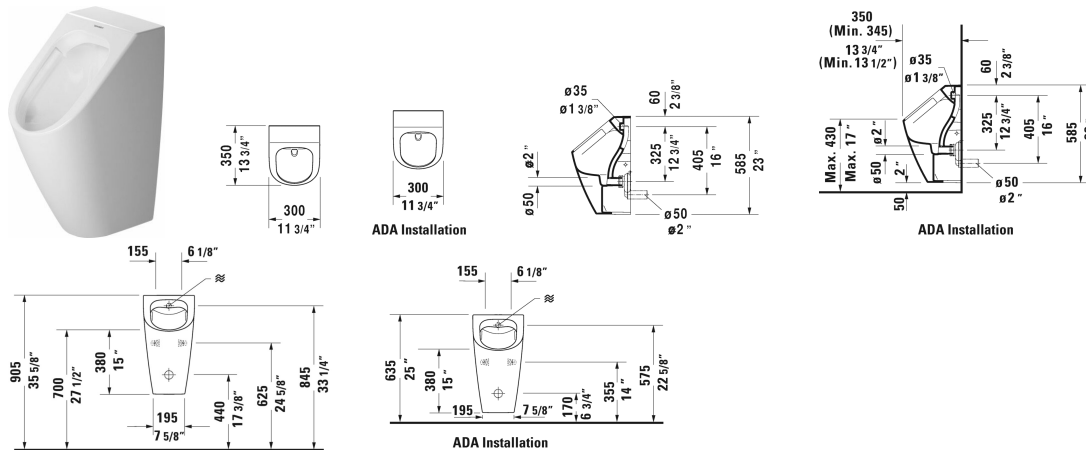


**ME by Starck Urinal Duravit Rimless® # 280930..92**

| < 11 3/4" Inch > |



Urinal Duravit Rimless®	Dimension	Weight	Order number
rimless, concealed inlet, syphonic action, horizontal outlet, hardware included, cC/IAPMO® listed*			
<b>Colors</b>			
00 White 20 HygieneGlaze (an antibacterial ceramic glaze that provides almost indefinite effectiveness)			
<b>Variant</b>			
model without fly, 0.5 gpf	11 3/4" x 13 3/4" Inch	42.1 lb	280930..92
<b>Infobox</b>			
* Complies with following standards: ASME A112.19.2/CSA B45.1, Siphon 0051130000 is mandatory for installation, In-wall tank & carrier and actuator plate required for installation / Refer to page XXX			
Sanitary ceramics with the special WonderGliss surface finish will remain clean and attractive-looking for a long time to come. When ordering WonderGliss please add a "1" as eleventh digit to the model number.			
Urinal screen		0.3 lb	005042
Type30 flush plate, single flush for urinals	5 1/8" x 5 1/8" Inch	1.2 lb	116017
Geberit carrier for urinals	19 3/4" x 3" Inch	27 lb	111625
Water inlet mechanism for urinals with back supply	1/2" Inch	0.2 lb	695800
Siphon horizontal outlet (concealed)	ø 2" Inch	0.4 lb	005113

All drawings contain the necessary measurements which are subject to standard tolerances. They are stated in inch & mm and are non-binding. Exact measurements, in particular for customized installation scenarios, can only be taken from the finished ceramic piece.