

NEWPORT BATH

Features

- Solid brass construction
- Traditional styling
- Single function spray
- Finished spray surface
- 1/2" NPT inlet elbow fitting
- 2" (5.1 cm) showerhead diameter
- 1.8 GPM (6.8 LPM) Max

Handshower with Slidebar Set

281D



Codes / Standards Compliance

Meets or exceeds the following at date of manufacture:

- ASME A112.18.1/CSA B125.1-18
- IAMPO/cUPC
- IPC
- Energy Policy Act of 1992
- EPA WaterSense
- California Energy Commission
- ASME A112.18.3 (Back Flow)
- All applicable US Federal and State material regulations

Colors / Finishes

- 10B: Oil Rubbed Bronze
- 15: Polished Nickel
- 15S: Satin Nickel - PVD
- 26: Polished Chrome
- Other: Refer to the Newport Brass catalog for additional color/finish options.

Specified Model

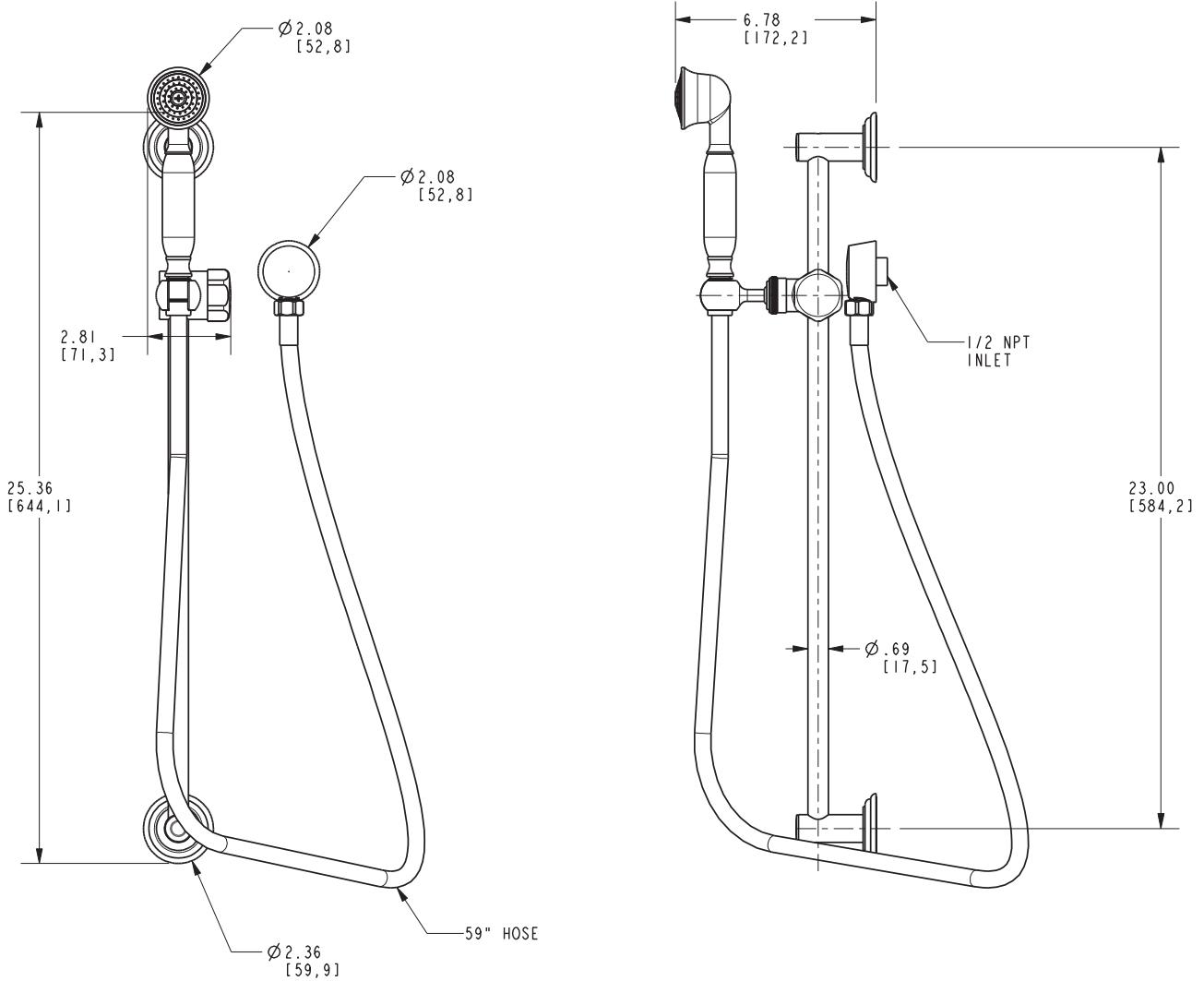
Model	Description	Colors Finishes
281D	Handshower with Slidebar Set	<input type="checkbox"/> 10B <input type="checkbox"/> 15 <input type="checkbox"/> 15S <input type="checkbox"/> 26 <input type="checkbox"/> Other

Product Specification Add "Color / Finish" suffix to Model number, below.

The Handshower with Slidebar Set shall be of solid brass construction. Handshower with Slidebar Set shall have a single function spray pattern incorporating a finished spray surface. Handshower with Slidebar Set shall incorporate twin back-check valves within the handshower handle. Handshower with Slidebar Set shall have a 1/2" NPT inlet fitting and 2" (5.1 cm) showerhead diameter while operating at 1.8 gallons (6.7 liters) per minute maximum flow rate. Handshower with Slidebar Set shall be Newport Brass Model 281D/____.

281D

Product Dimensions are provided for reference only. For specific product installation guidelines, please reference the Installation Instructions of the product being installed.



Newport Bath Handshower with Slidebar Set 281D