

NEWPORT BATH

Features

- Solid brass construction
- Contemporary styling
- Single function spray
- Rubber nozzles with finished spray surface
- 1/2" NPSM inlet fitting
- 2" x 2-1/2" (5.1 cm x 6.4 cm) spray area
- 1.8 GPM (6.8 LPM) Max

Codes / Standards Compliance

Meets or exceeds the following at date of manufacture:

- ASME A112.18.1/CSA B125.1-18
- IAMPO/cUPC
- IPC
- Energy Policy Act of 1992
- California Energy Commission
- ASME A112.18.3 (Back Flow)
- All applicable US Federal and State material regulations
- Other: This product is NOT watersense certified

Colors / Finishes

- 10B: Oil Rubbed Bronze
- 15: Polished Nickel
- 15S: Satin Nickel - PVD
- 26: Polished Chrome
- Other: Refer to the Newport Brass catalog for additional color/finish options.

Handshower 283-4



Specified Model

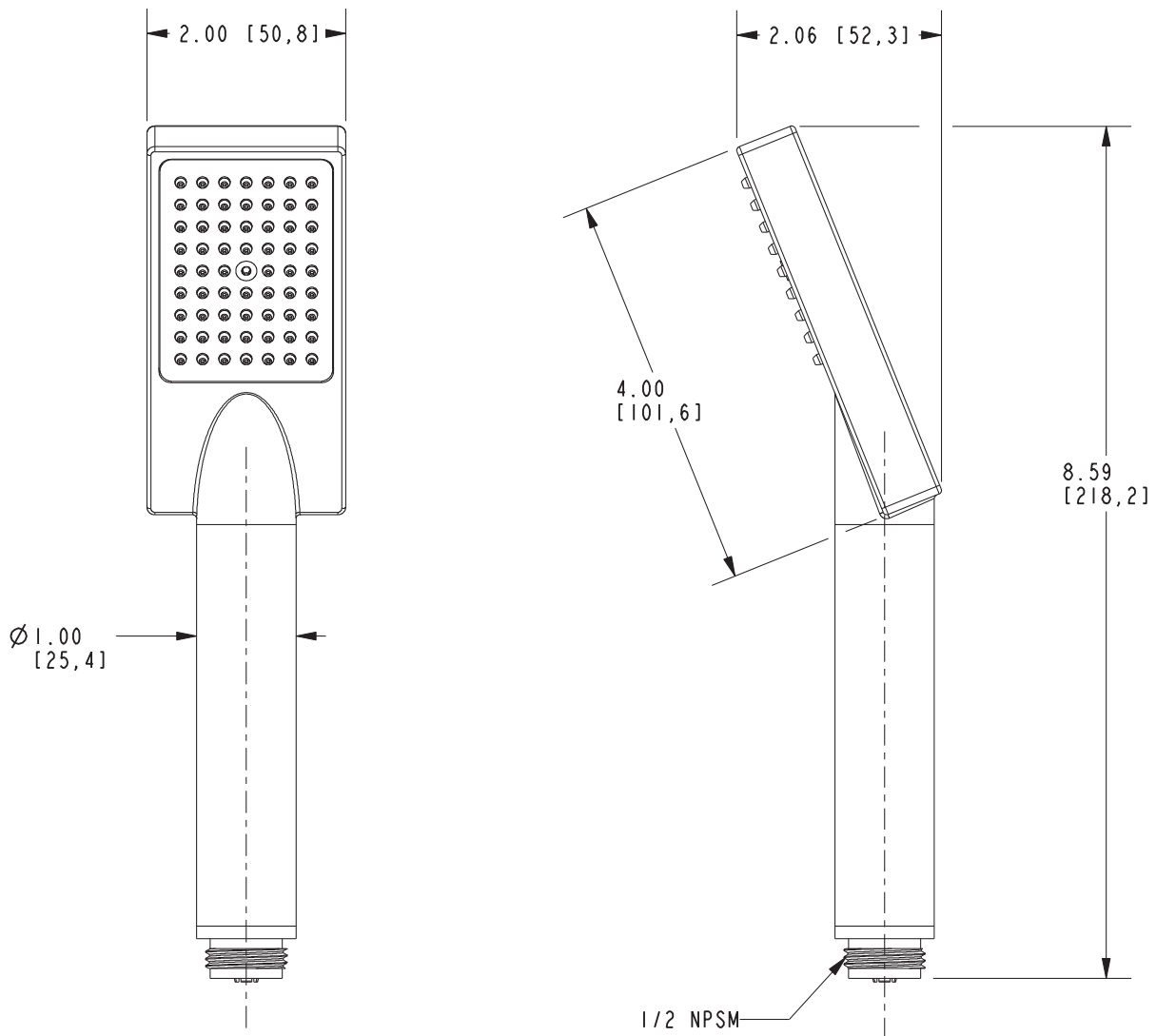
Model	Description	Colors Finishes
283-4	Handshower	<input type="checkbox"/> 10B <input type="checkbox"/> 15 <input type="checkbox"/> 15S <input type="checkbox"/> 26 <input type="checkbox"/> Other

Product Specification Add "Color / Finish" suffix to Model number, below.

The Handshower shall be of solid brass construction while incorporating a non-metallic handshower engine. Handshower shall have a single function shower engine incorporating rubber nozzles to facilitate easy cleaning. Handshower shall incorporate twin back-check valves within the handle. Handshower shall have a 1/2" NPSM inlet fitting and 2" x 2-1/2" (5.1 cm x 6.4 cm) spray area while operating at 1.8 gallons (6.7 liters) per minute maximum flow rate. Handshower shall be Newport Brass Model 283-4/____.

283-4

Product Dimensions are provided for reference only. For specific product installation guidelines, please reference the Installation Instructions of the product being installed.



Newport Bath Handshower 283-4