



Bathtub - CL.1

Showerhead - polished chrome

Article number: 28 508 980-00 0010



- 7-7/8" Projection
- Ball-joint pivotable through 30°
- 3 individual sprays (standard, soft, massage)
- Descaling system
- Ø 3-5/8"
- Flange 2-3/8" x 2-3/8"
- 1/2" connection
- Water flow rate limited to max. 1.8 gpm

Codes & Standards

- California Energy Commission (CEC)
- ASME A112.18.1/CSA B125.1



polished chrome

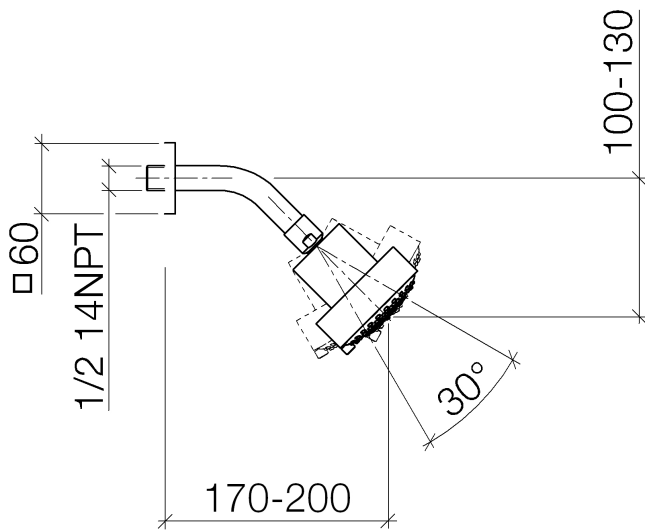


Bathtub - CL.1

Showerhead - polished chrome

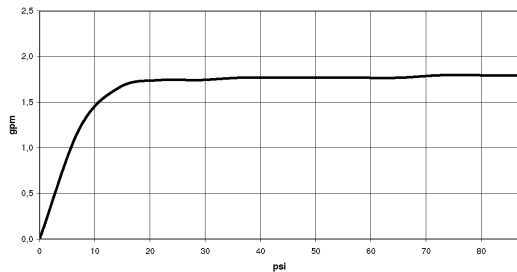
Article number: 28 508 980-00 0010

Dimensional drawing



All dimensions in mm / inch = mm x 0,0394

Flow rate chart





Bathtub - CL.1

Showerhead - polished chrome

Article number: 28 508 980-00 0010

Other surface finishes



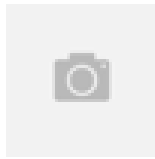
platinum matte

28 508 980-06 0010



platinum

28 508 980-08 0010



Brushed Durabrass

28 508 980-28 0010

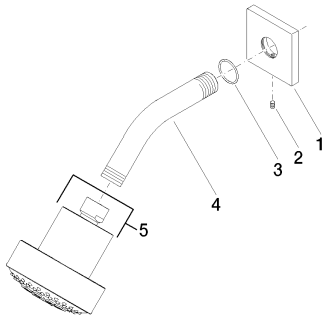


Dark Platinum matte

28 508 980-99 0010

More custom finish options are available via special production (xTra Service). Please see our finish matrix for availability and pricing or contact a Dornbracht representative.

Spare parts list



Number	Item Number	Designation	Number of units
1	09 27 98 003-00	rosette	1
2	09 31 11 048 90	pin	1
3	09 14 10 098 90	seal	1
4	09 11 03 011-00	connection	1
5	04 12 11 110 01-00	shower	1