

TARA Two-way diverter for bath rim or tile edge installation - Dark Chrome

29 140 892



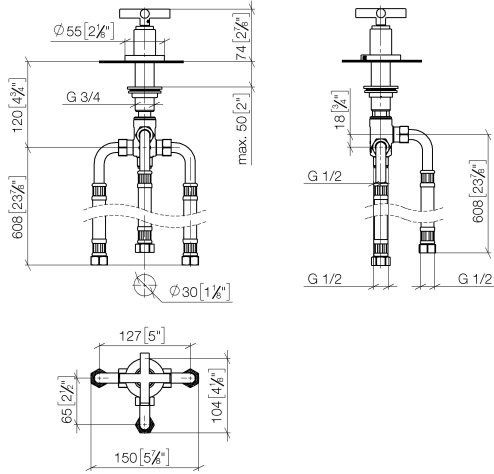
- automatic bath/shower diverter
- hole diameter 32 mm
- rosette Ø 55 mm
- 1/2" connection
- max. flow 64.9 l/min at 3 bar flow pressure
- WRAS

	Dark Chrome	29 140 892-19
	Chrome	29 140 892-00
	Brushed Platinum	29 140 892-06
	Platinum	29 140 892-08
	Brushed Durabronze (23kt Gold)	29 140 892-28
	Matte Black	29 140 892-33
	Brushed Bronze	29 140 892-42
	Brushed Champagne (22kt Gold)	29 140 892-46
	Champagne (22kt Gold)	29 140 892-47
	Brushed Chrome	29 140 892-93
	Brushed Dark Platinum	29 140 892-99

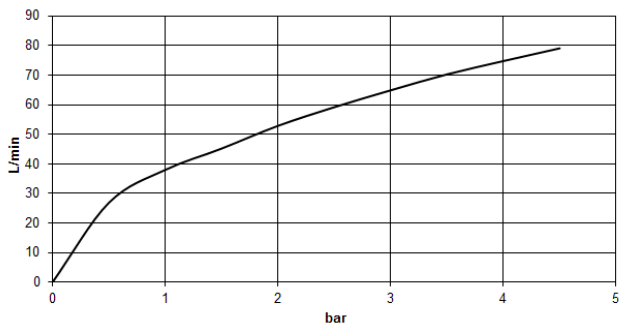
TARA Two-way diverter for bath rim or tile edge installation - Dark Chrome

29 140 892

mm [inches]



Flow rate chart



Codes & Standards

ASME A112.18.1

cUPC

DIN 4109

ISO 3822

Ü-Zeichen



TARA Two-way diverter for bath rim or tile edge installation - Dark Chrome

29 140 892

Certificates

LGA_29

IAPMO_4976

TARA Two-way diverter for bath rim or tile edge installation - Dark Chrome

29 140 892

Parts for other
finishes can be found
here: [Chrome](#)

