

# EAST LINEAR

## Features

- Solid brass construction
- Face plate with ADA compliant contemporary lever handle
- 1.8 gallons(6.7 liters) per minute maximum flow rate showerhead
- ADA compliant contemporary lever handle assembly for control valve
- Intended for use with Newport Brass rough valve(s) as specified (Required Accessory)

## Codes / Standards Compliance

Meets or exceeds the following at date of manufacture:

- ASME A112.18.1/CSA B125.1
- EPA Watersense
- IAPMO/cUPC
- IPC
- ADA
- ICC/ANSI A117.1
- Energy Policy Act of 1992
- All applicable US Federal and State material regulations

## Colors / Finishes

- 10B: Oil Rubbed Bronze
- 15: Polished Nickel
- 15S: Satin Nickel - PVD
- 26: Polished Chrome
- Other: Refer to the Newport Brass catalog for additional color/finish options.

## Shower Trim

# 3-1504BP

Also 3-255



3-1504BP



3-255

## Specified Model

| Model    | Description  | Colors / Finishes            |                             |                              |                             |                                |
|----------|--|------------------------------|-----------------------------|------------------------------|-----------------------------|--------------------------------|
| 3-1504BP | Shower Trim  | <input type="checkbox"/> 10B | <input type="checkbox"/> 15 | <input type="checkbox"/> 15S | <input type="checkbox"/> 26 | <input type="checkbox"/> Other |
| 3-255    | Shower System Control Valve Trim (Escutcheon/Handle) | <input type="checkbox"/> 10B | <input type="checkbox"/> 15 | <input type="checkbox"/> 15S | <input type="checkbox"/> 26 | <input type="checkbox"/> Other |

## Required Accessory: Trim(s), above, and Rough Valve(s), below, must be specified.

| Application              | Shower (or Tub) Valve (Choose One) |                                | Control Valve                  |
|--------------------------|------------------------------------|--------------------------------|--------------------------------|
| <b>Description</b>       | Balance Pressure (BP)              | Balance Pressure (BP)          | Diverter (3/4 Port)            |
| <b>Inlet/Outlet Size</b> | 1/2"                               | 1/2"                           | 1/2"                           |
| <b>Part Number</b>       | <input type="checkbox"/> 1-594     | <input type="checkbox"/> 1-684 | <input type="checkbox"/> 1-617 |
| <b>Image</b>             |                                    |                                |                                |

## Product Specification: Add size designator and "Color / Finish" suffix to Model number, below.

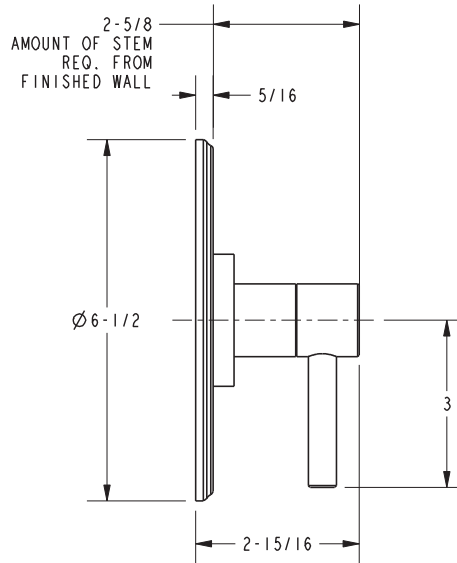
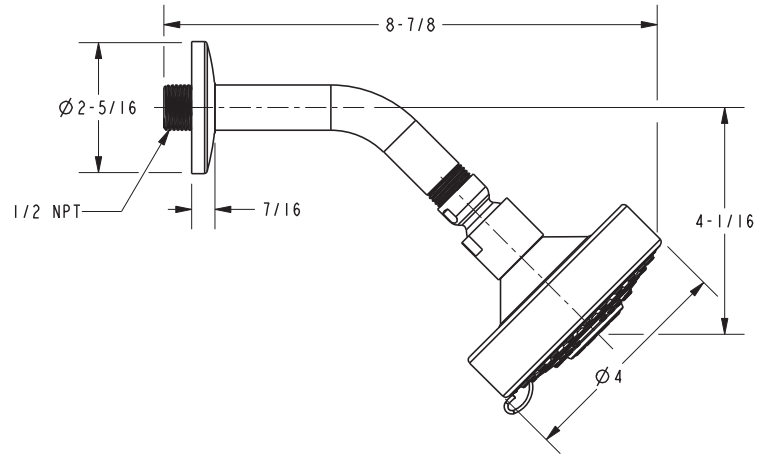
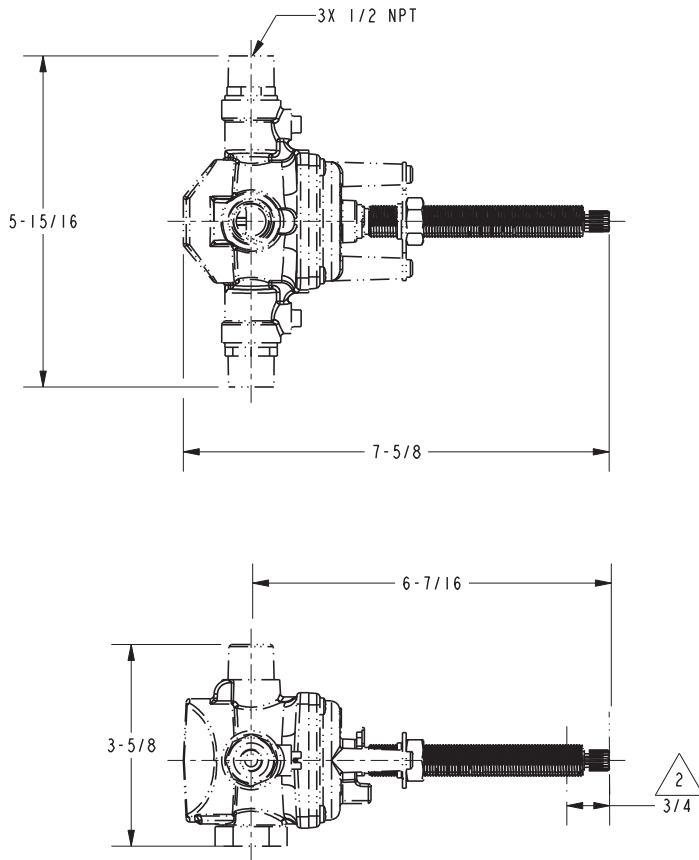
The single-control Shower Trim shall be made of solid brass construction. Shower Trim shall include showerhead with arm and flange and faceplate with ADA compliant handle. Showerhead shall have a maximum flow rate of 1.8 gallons (6.7 liters) per minute. Shower System Control Valve Trim(s) (Escutcheon/Handle) shall be ADA compliant when used with specified Shower System Control Valve. Shower Trim shall be Newport Brass Model 3-1504BP/\_\_\_\_ and single-control Shower rough valve shall be Newport Brass Model 1-\_\_\_\_. [Optional Shower System Control Valve Trim (Escutcheon/Handle) shall be 3-255/\_\_\_\_ and Shower System Control Valve shall be 1-617].

# 3-1504BP

## PRODUCT DIMENSIONS *(Units are in inches)*

NOTES:

- 1. CUT STEM TO DIMENSION SHOWN.
- 2. CUT ALL-THREAD 3/4" SHORTER THAN STEM.



### East Linear Shower Trim 3-1504BP