

4

3

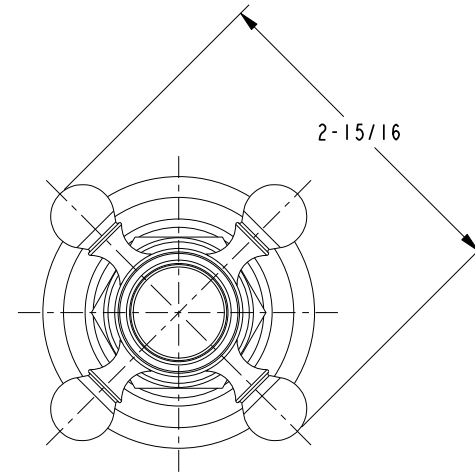
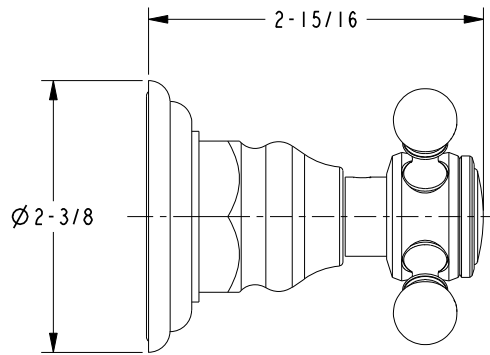
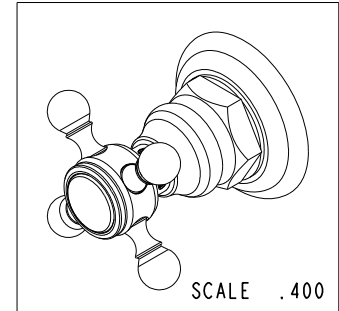
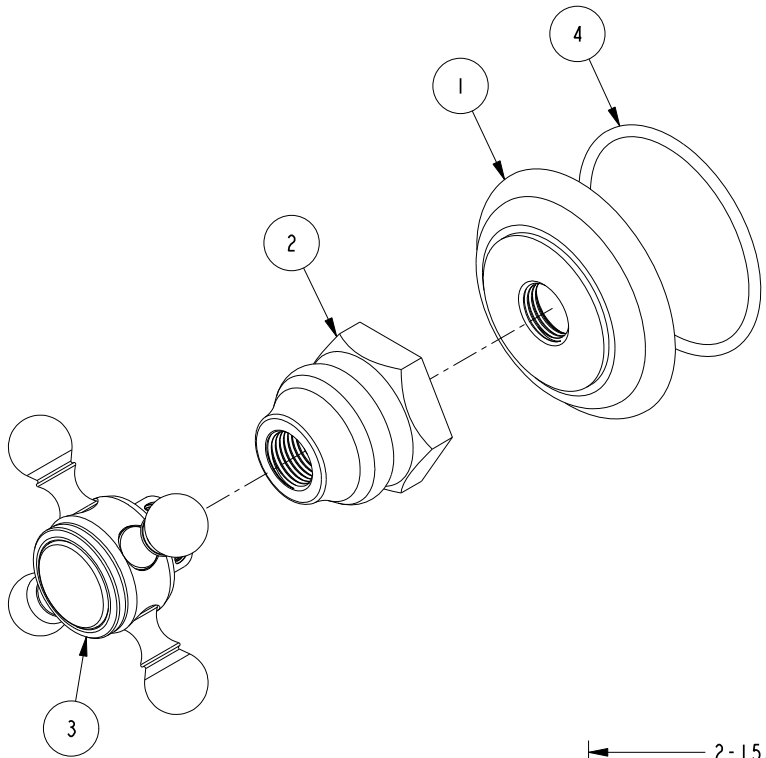
2

1

BILL OF MATERIAL (CURRENT LEVEL)

ITEM	PT/ASSY	DESCRIPTION	TYPE	QTY.
1	10050	ESCUTCHEON WALL VALVE	PART	1
2	10523	HEX ESCUTCHEON BONNET	PART	1
3	2-268	CROSS HANDLE ONLY - BLANK	ASSEMBLY	1
4	91231	O-RING, #2-136, EPDM, 65-75 DURO	PART	1

91753



REV B EN-3722 02/08/2019 CG

COPYRIGHT 2005 BRASSTECH, INC. THESE DRAWINGS AND THE DESIGNS DEPICTED HEREIN ARE THE PROPRIETARY PROPERTY OF BRASSTECH. ANY USE OR REPRODUCTION IS SUBJECT TO THE EXPRESS APPROVAL OF BRASSTECH. UNAUTHORIZED USE IS STRICTLY PROHIBITED. ALL RIGHTS RESERVED.

BRASSTECH
INCORPORATED

2001 E. CARNEGIE AVE.
SANTA ANA, CA 92705
(949) 417-5207

HANDLE/ESCUTCHEON W/PLAIN INSERT

ASSY. NO. 3-163B

SCALE .600

REF. -

SHEET 1 OF 1

A	EN-2398a	04/12/13
-	RELEASED	5/15/01
REV	REV DESC	DATE

4

3

2

1