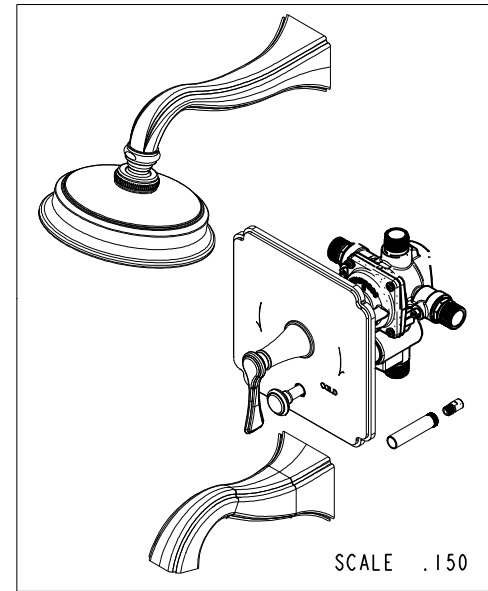
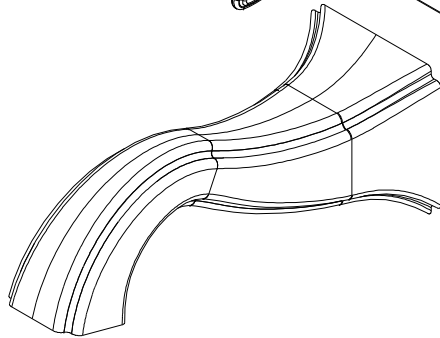
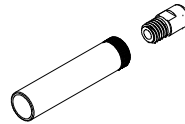
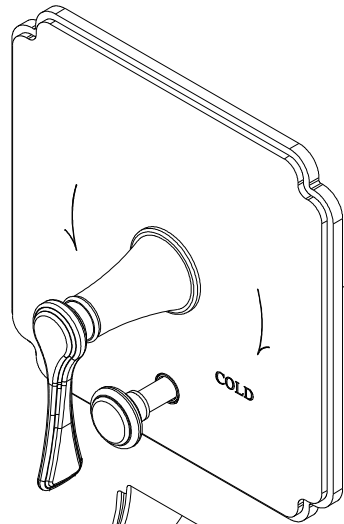


PN: 1-595
SOLD SEPARATELY



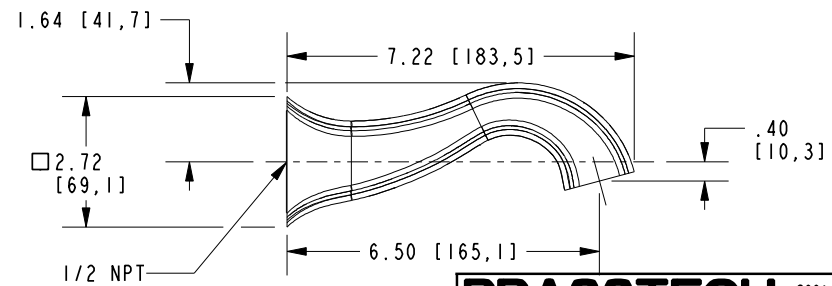
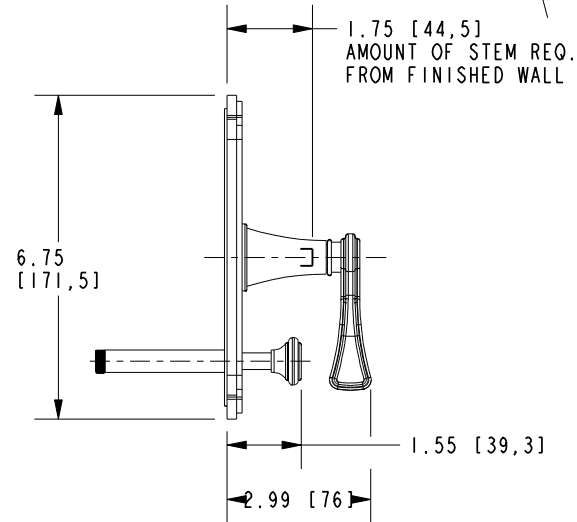
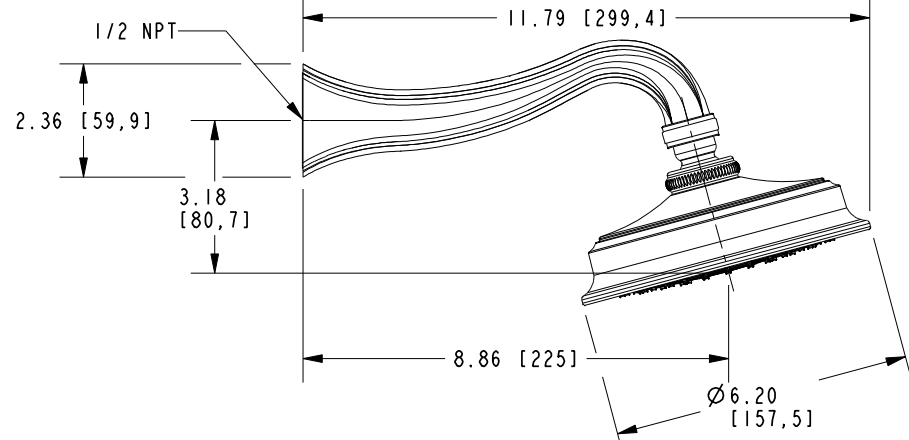
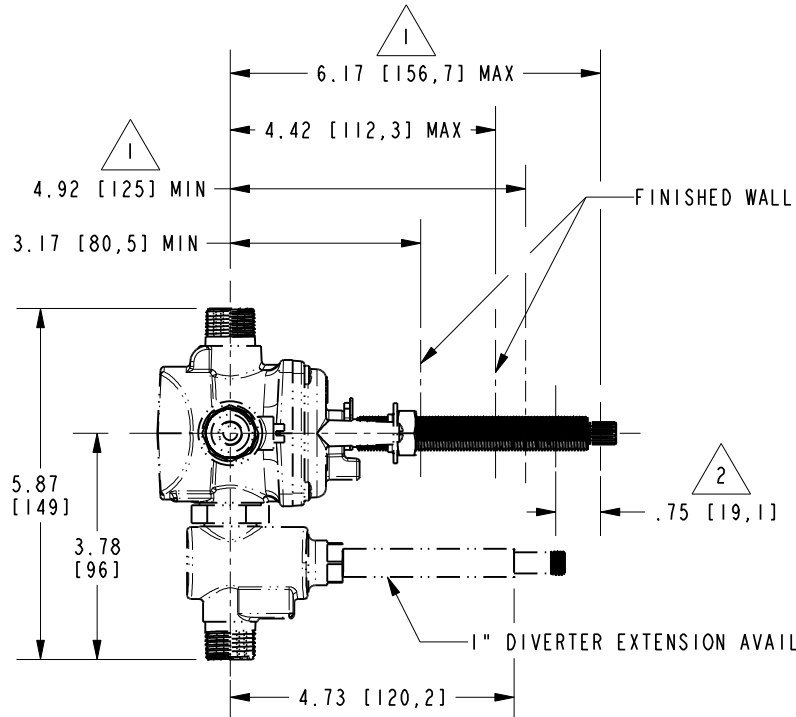
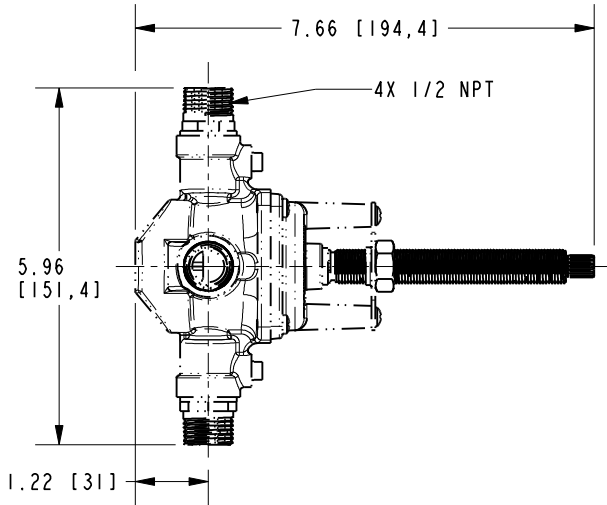
SCALE .150

BRASSTECH 2001 E. CARNEGIE AVE.
INCORPORATED SANTA ANA, CA 92705
(949) 417-5207

DWG NO.	3-2532BP	REV	H
SCALE	.350	REF.	-
SHEET 2		OF 3	

NOTES:

- 1 CUT STEM TO DIMENSION SHOWN.
- 2 CUT ALL-THREAD 0.75" SHORTER THAN STEM.



BRASSTECH		2001 E. CARNEGIE AVE. SANTA ANA, CA 92705 (949) 417-5207	
DWG NO.	3-2532BP	REV	H
SCALE	.312	REF.	-
SHEET 3		OF 3	