

# EAST LINEAR

## Features

- Solid brass construction
- 8-1/4" (21.0 cm) spout reach (wall-to-center)
- 1/2" NPT spout inlet fitting
- Rough valve incorporates a brass valve body assembly
- Rough valve incorporates quarter-turn washerless ceramic disc valve cartridges
- Intended for use with Newport Brass rough valve as specified (Required Accessory)
- ADA Compliant
- 1.2 GPM (4.5 LPM) Max

## Codes / Standards Compliance

Meets or exceeds the following at date of manufacture:

- ASME A112.18.1/CSA B125.1-18
- IAMPO/cUPC
- NSF/ANSI 61, SECTION 9
- NSF/ANSI 372
- IPC
- ADA & ICC/ANSI A117.1
- Energy Policy Act of 1992
- EPA WaterSense
- California Energy Commission
- All applicable US Federal and State material regulations

## Colors / Finishes

- 10B: Oil Rubbed Bronze
- 15: Polished Nickel
- 15S: Satin Nickel - PVD
- 26: Polished Chrome
- Other: Refer to the Newport Brass catalog for additional color/finish options.

## Wall-Mounted Lavatory Trim

# 3-991L



## Specified Model

| Model  | Description           | Colors   Finishes            |                             |                              |                             |                                |
|--------|-----------------------|------------------------------|-----------------------------|------------------------------|-----------------------------|--------------------------------|
| 3-991L | Wall-Mounted Tub Trim | <input type="checkbox"/> 10B | <input type="checkbox"/> 15 | <input type="checkbox"/> 15S | <input type="checkbox"/> 26 | <input type="checkbox"/> Other |

## Required Accessory

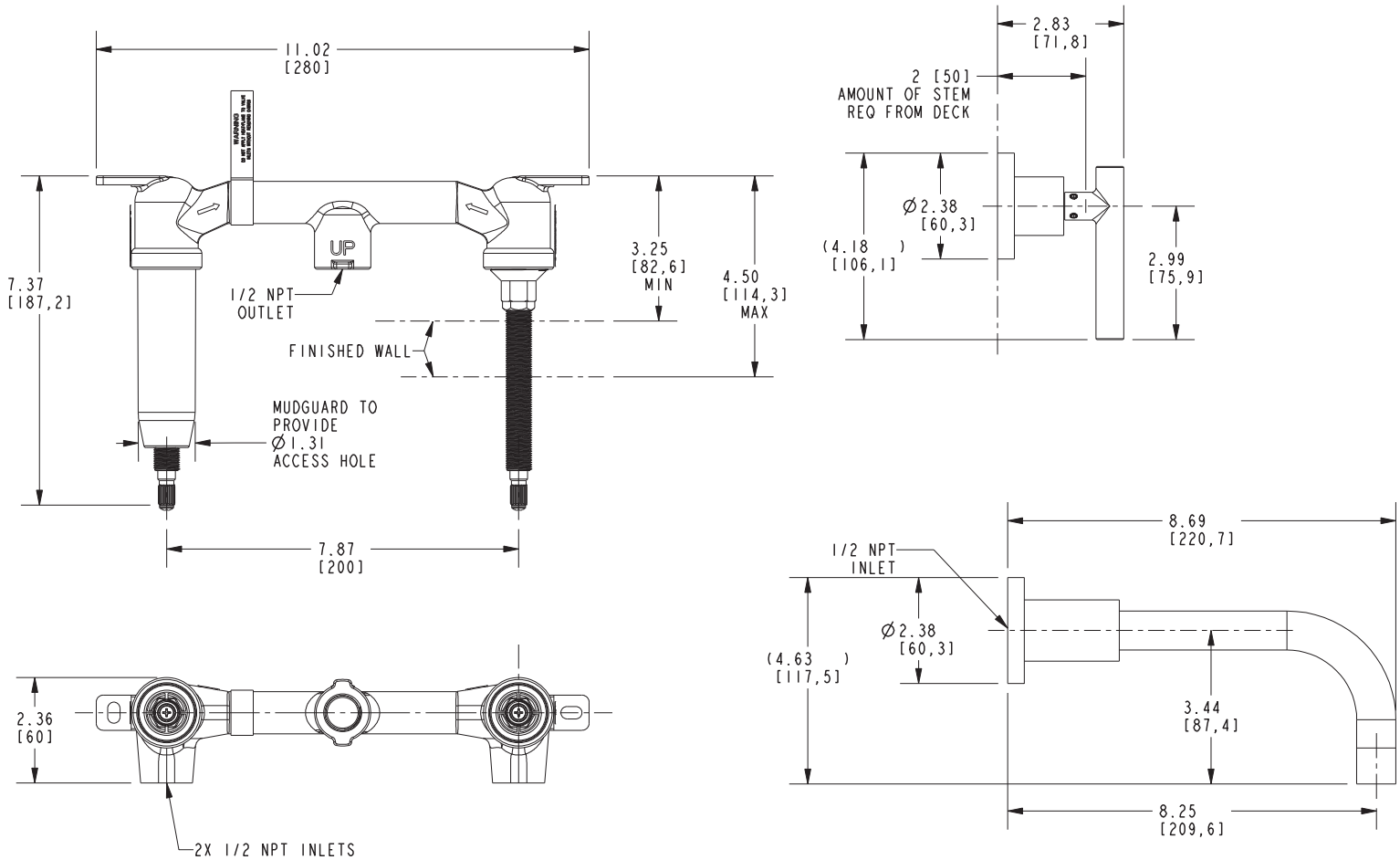
|                   |                           |
|-------------------|---------------------------|
| Application       | Wall Lavatory Rough Valve |
| Description       | 2-Cartridge Assembly      |
| Inlet/Outlet Size | 1/2"                      |
| Part Number       | 1-532U                    |
| Image             |                           |

## Product Specification Add "Color / Finish" suffix to Model number, below.

The Wall-Mounted Lavatory Faucet shall be made of solid brass construction. Wall-Mounted Lavatory Faucet shall incorporate lever handles and a 8-1/4" (21.0 cm) spout (wall-to-center) that incorporates a 1/2" NPT inlet fitting. Rough valve shall incorporate a brass valve body assembly and quarter-turn washerless ceramic disc valve cartridges. Wall-Mounted Lavatory Faucet shall be Newport Brass Model 3-991L/\_\_\_\_\_ and Newport Brass rough valve shall be 1-532U.

# 3-991L

Product dimensions are provided for reference only. For specific product installation guidelines, please reference the installation instructions of the product being installed.



## East Linear Wall-Mounted Lavatory Trim 3-991L