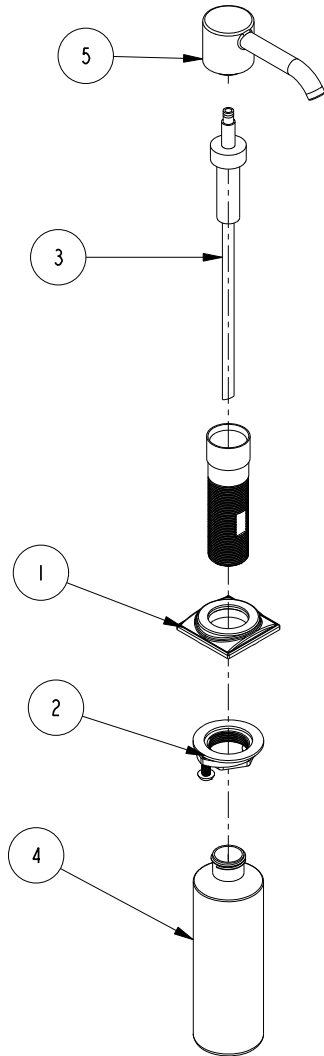


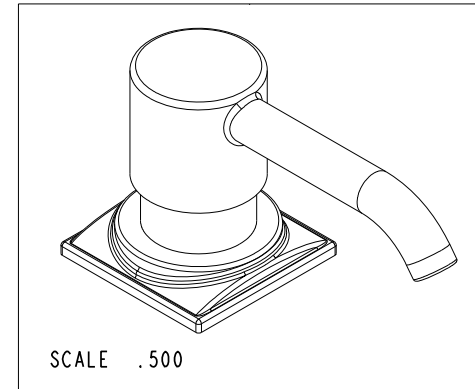
NOTES:

(N1) 1. FIT / FORM / FUNCTION SHALL FOLLOW PS-E.008.



**BILL OF MATERIAL (CURRENT LEVEL)**

ITEM	PT/ASSY	DESCRIPTION	TYPE	QTY.
1	20-398	ESC- ASM	ASSEMBLY	1
2	20-391	BODY ASM - CONTEMPORARY	ASSEMBLY	1
3	125-8	SOAP DISPENSER PUMP ASM	ASSEMBLY	1
4	125-9	SOAP DISPENSER BOTTLE	PART	1
5	20-373	SOAP PUMP HEAD ASM CONTEMP	ASSEMBLY	1



*Joe Manga*  
03/07/2019

ZONE	REV	DESCRIPTION	DATE	APPROVED
-	B	EN-3625b	03/07/19	J.M.
-	A	EN-3558b	02/13/19	V.V.
-	-	EN-3076	06/08/17	J.M.

COPYRIGHT 2005 BRASSTECH, INC. THESE DRAWINGS AND THE DESIGNS DEPICTED HEREIN ARE THE PROPRIETARY PROPERTY OF BRASSTECH. ANY USE OR REPRODUCTION IS SUBJECT TO THE EXPRESS APPROVAL OF BRASSTECH. UNAUTHORIZED USE IS STRICTLY PROHIBITED. ALL RIGHTS RESERVED.

TESTING	ASSEMBLY	PLATING	POLISHING	MACHINING	TOOLING FIXTURE #
-	-	-	-	-	-
-	-	-	-	-	-
-	-	-	NEXT ASSY	USED ON	-
-	-	-	-	-	-
APPLICATION					
REMOVE ALL BURRS AND SHARP EDGES					

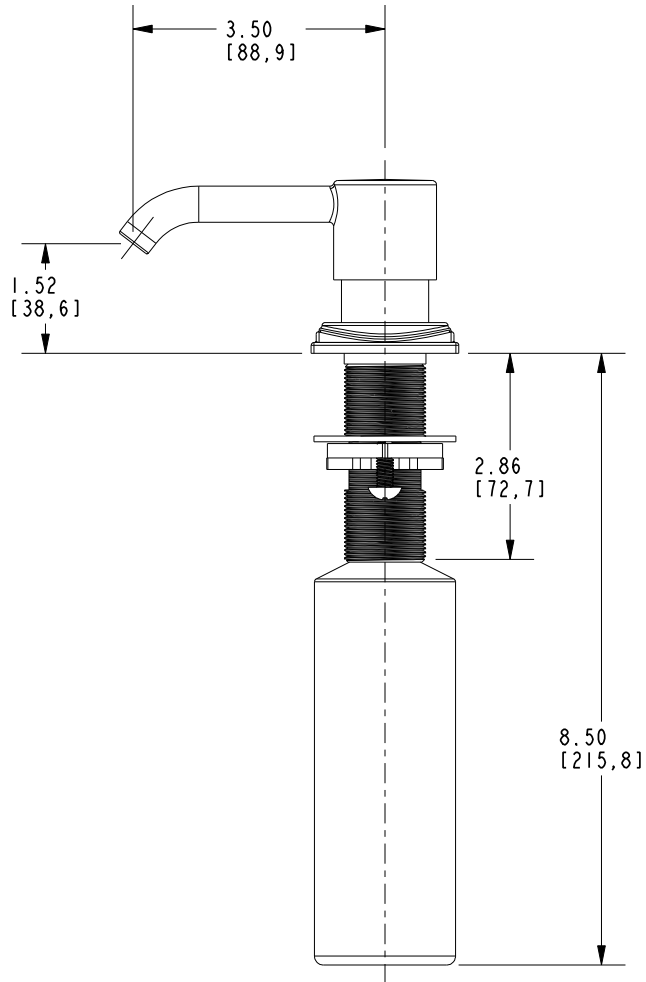
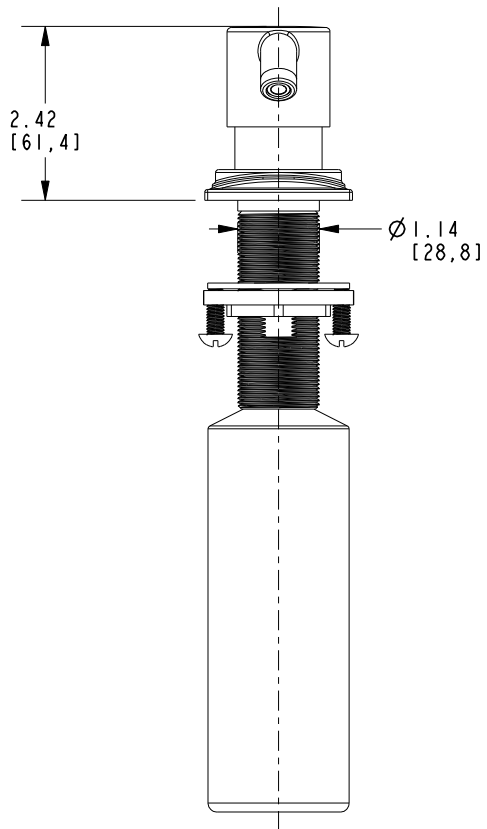
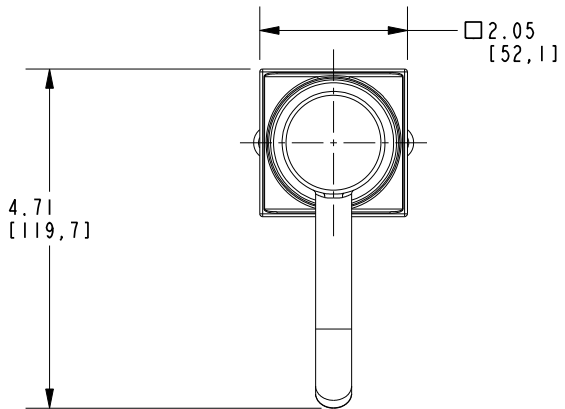
UNITS ARE: INCHES [MM]		
TOLERANCES ARE:		
FRACTIONS	DECIMALS	ANGLES
±1/16"	.X ±.1 [2.5]	±1°
	.XX ±.06 [1.5]	
(X.XXX) DENOTES CRITICAL DIMS. ALL THREADS ARE CRITICAL		
DRAWN	AWARISH	06/08/17
CHECKED	RAVINDRA	06/08/17
APPROVED	J.M	06/08/17

**BRASSTECH**  
INCORPORATED

2001 CARNEGIE AVE  
SANTA ANA, CA 92705  
(949) 417-5207

SOAP / LOTION DISPENSER

DWG NO.	3170-5721	REV	B
SCALE	.187	REF.	-
SHEET	1	OF	2



<b>BRASSTECH</b>		2001 E. CARNEGIE AVE. SANTA ANA, CA 92705 (949) 417-5207	
DWG NO.	3170-5721	REV	B
SCALE	.375	REF.	-
		SHEET	2 OF 2