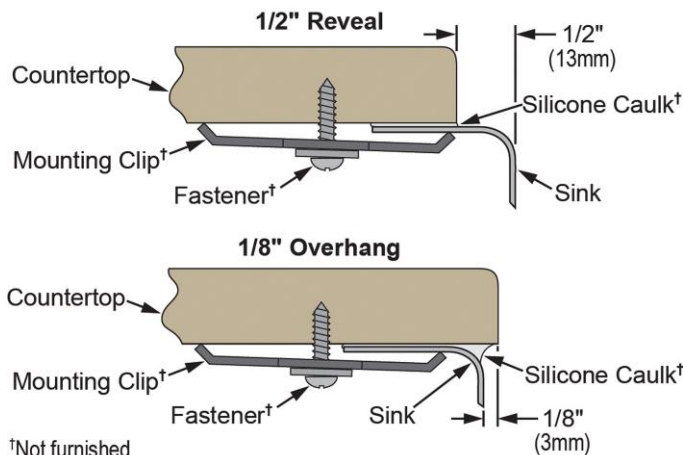


PRODUCT SPECIFICATIONS

Elkay Lustertone Stainless Steel 33" x 20-1/2" x 8", Single Bowl Farmhouse Sink. Sink is manufactured from 18 gauge 304 Stainless Steel with a Lustertone finish, Rear Center drain placement, and Sides and Bottom pads.

Installation Type:	Farmhouse
Material:	304 Stainless Steel
Finish:	Lustertone
Gauge:	18
Sound Deadening:	Sides and Bottom pads
Number of Bowls:	1
Sink Dimensions:	33" x 20-1/2" x 8"
Bowl 1 Dimensions:	28" x 16" x 7-7/8"
Drain Size:	3-1/2" (89mm)
Drain Location:	Rear Center
Minimum Cabinet Size:	36"
Mounting Hardware:	Undermount brackets sold separately

Installation Profile:



Designed to affix to the underside of any solid surface countertop.

OPTIONAL ACCESSORIES

Bottom Grid:	LKWOBG2816SS
Cutting Board:	CB1713*, CBS1316*
Drain:	LK99
Faucet:	LKGT1041, LKGT2041
Hardware:	LKUCLIP8
Rinsing Basket:	LKWRB2816SS, LKWERBSS
Sinkmate:	LKSMHSL
Soap Dispenser:	LKGT1054

* 1/2" sink reveal required for proper fit.

PART: _____ QTY: _____
 PROJECT: _____
 CONTACT: _____
 DATE: _____
 NOTES: _____
 APPROVAL: _____



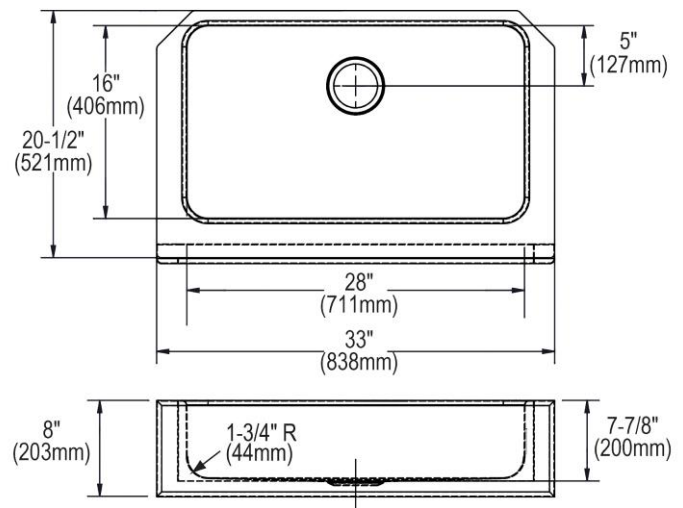
AMERICAN PRIDE. A LIFETIME TRADITION.
 Like your family, the Elkay family has values and traditions that endure. For almost a century, Elkay has been a family-owned and operated company, providing thousands of jobs that support our families and communities.



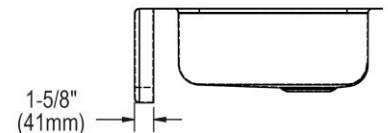
Sinks are listed by IAPMO[®] as meeting the applicable requirements of the Uniform Plumbing Code[®], International Plumbing Code[®], and National Plumbing Code of Canada.

Product Compliance: ASME A112.19.3/CSA B45.4
 BUY AMERICAN ACT

[Clean and Care Manual \(PDF\)](#)
[Installation Instructions \(PDF\)](#)
[Limited Lifetime Warranty \(PDF\)](#)



Side View



In keeping with our policy of continuing product improvement, Elkay reserves the right to change product specifications without notice. Please visit elkay.com for the most current version of Elkay product specification sheets. This specification describes an Elkay product with design, quality, and functional benefits to the user. When making a comparison of other producers' offerings, be certain these features are not overlooked.