

Metropol

Widespread Faucet 110 with Lever Handles and Pop-Up Drain, 0.5 GPM

Finishes : **chrome** Part no. : **32528001**



Description

Features

- Aerated spray
- Flow: 0.5 GPM (1.9 L/Min)
- 90° ceramic valves
- Includes pop-up drain

Item details

List Price

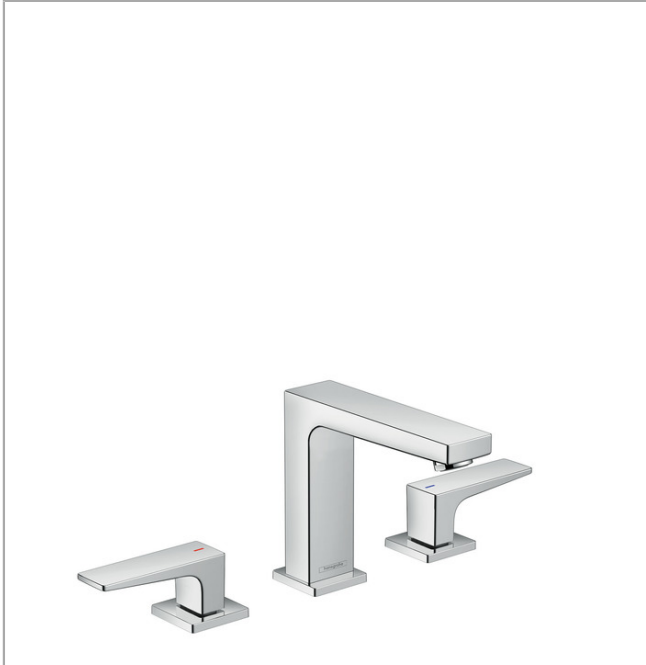
Technology



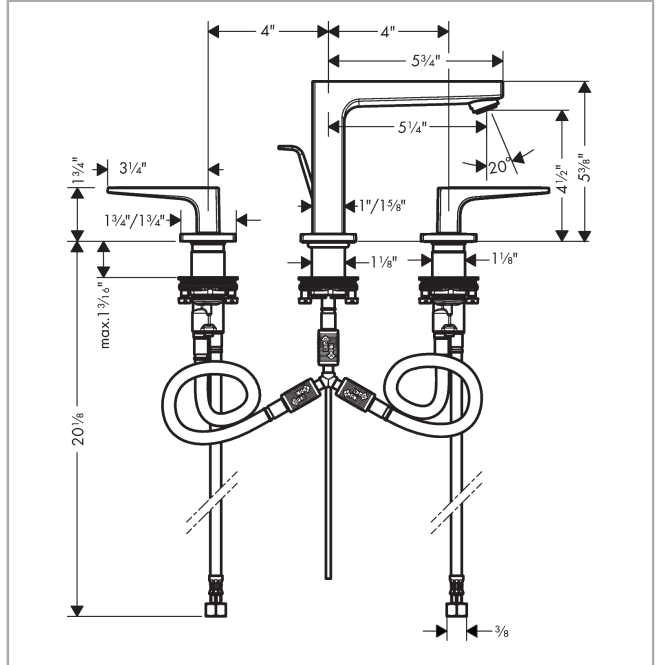
Compliance



Product image



Scale drawing



Metropol

Widespread Faucet 110 with Lever Handles and Pop-Up Drain, 0.5 GPM

Finishes : **chrome** Part no. : **32528001**



Spare parts list

Year of production: >10/19

Pos.	Description	Part no.	Price	PU
1	spout 110 mm	93021000	-	1
2	aerator M24x1 (1,9 l/min)	92300000	-	1
3	O-ring 22x1,2	98397000	-	1
4	escutcheon for spout	92906000	-	1
5	flat seal	98749000	-	1
6	O-ring 26x4	92191000	-	1
7	connection hose 200 mm M10x1	92913000	-	1
8	O-ring 8x1,75	97827000	-	1
9	fixing set (Ø 28)	92909000	-	1
10	hose connection angel	92905000	-	1
11	handle for hot water	92916000	-	1
12	O-Ring 14x1,5	98201000	-	1
13	escutcheon	92915000	-	1
14	handle fixing set	98932000	-	1
15	shut off unit right closing	98817000	-	1
16	shut off unit left closing	95366001	-	1
17	O-ring 33x2,5	92907000	-	1
18	connection hose 400 mm M10x1	92914000	-	1
19	connection hose 18½" M8x0,75 3/8"	96321001	-	1
20	lever collar	97548000	-	1
21	pull rod	96657000	-	1
a	handle for cold water	92917000	-	1
b	pop up waste	88509000	-	1