



Kitchen - Lot

BAR TAP Two-hole mixer with individual flanges - polished chrome

Article number: 32 805 680-00 0010



- 6-1/2" Projection
- Swiveling spout 360°
- Areated stream
- Total height 9"
- 8-1/8" height to aerator/spout outlet
- Individual flanges 2-1/8" x 2-1/8"
- Spout hole diameter 1-3/8"
- Single-lever mixer hole diameter 1-3/4"
- 2x 3/8" US flexible supply lines
- Water flow rate limited to max. 1.5 gpm
- lead-free

Codes & Standards

- NSF/ANSI 372
- California Energy Commission (CEC)
- ASME A112.18.1/CSA B125.1
- NSF/ANSI/CAN 61
- ADA

- (ADA)
- Flexible positioning of components



polished chrome

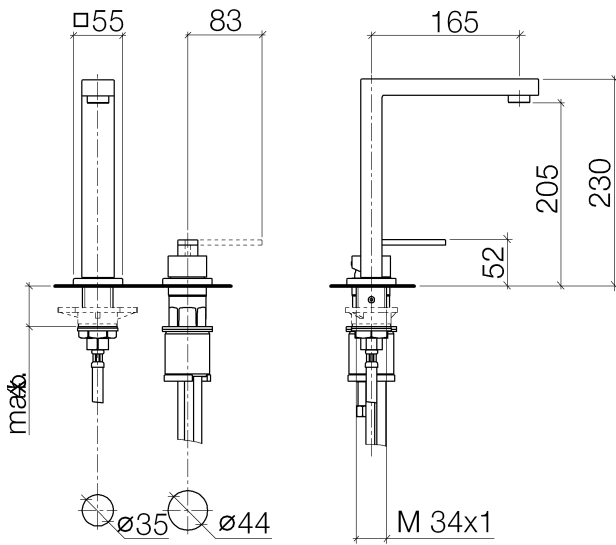


Kitchen - Lot

BAR TAP Two-hole mixer with individual flanges - polished chrome

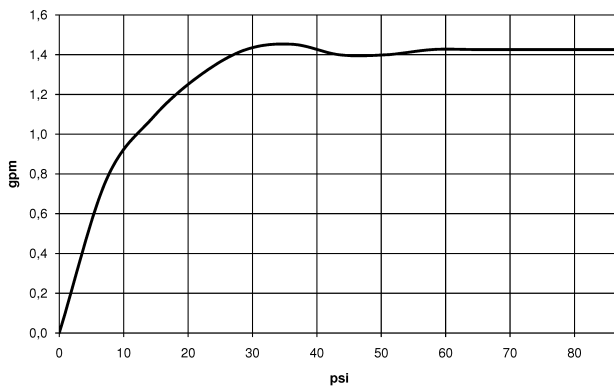
Article number: 32 805 680-00 0010

Dimensional drawing



All dimensions in mm / inch = mm x 0,0394

Flow rate chart





Kitchen - Lot

BAR TAP Two-hole mixer with individual flanges - polished chrome

Article number: 32 805 680-00 0010

Other surface finishes



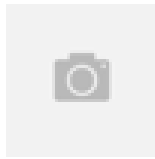
platinum matte

32 805 680-06 0010



platinum

32 805 680-08 0010



Brushed Durabronz

32 805 680-28 0010



Dark Platinum matte

32 805 680-99 0010

More custom finish options are available via special production (xTra Service). Please see our finish matrix for availability and pricing or contact a Dornbracht representative.



10 714 970-00

AIR SWITCH operating button, trim parts only - polished chrome



82 439 970-00

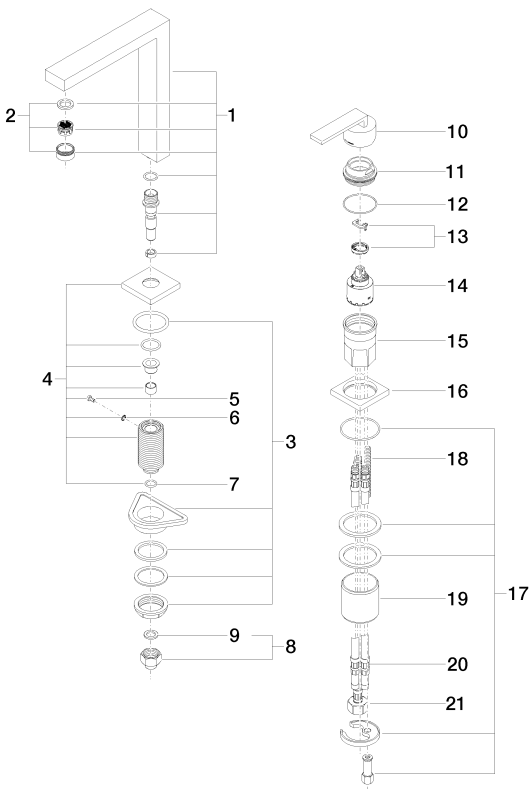
Soap dispenser with flange - polished chrome

Kitchen - Lot

BAR TAP Two-hole mixer with individual flanges - polished chrome

Article number: 32 805 680-00 0010

Spare parts list



Number	Item Number	Designation	Number of units
1	90 11 06 192 06-00	spout	1
2	90 23 01 029 04-00	aerator	1
3	04 23 10 044 01 90	fixing set	1
4	90 27 78 023 00-00	rosette	1
5	09 30 30 057 90	screw	1
6	09 30 11 028 90	disc	1
7	09 14 10 077 90	seal	1
8	04 24 04 166 10 90	nipple	1
9	09 14 20 002 90	seal	1
10	90 20 78 040 00-00	handle	1
11	09 24 04 142-00	nut	1
12	09 14 10 037 90	seal	1
13	04 28 10 148 00 90	accessories	1
14	90 15 05 061 00 90	cartridge	1
15	09 30 01 100 10 90	sleeve	1
16	09 27 78 007-00	rosette	1
17	04 30 11 038 02 90	fixing set	1
18	09 31 11 011 90	pin	1
19	09 18 40 079 90	sleeve	1
20	04 30 04 045 00 90	Flexible supply line 3/8"	2
21	04 30 04 019 00 90	hose	1