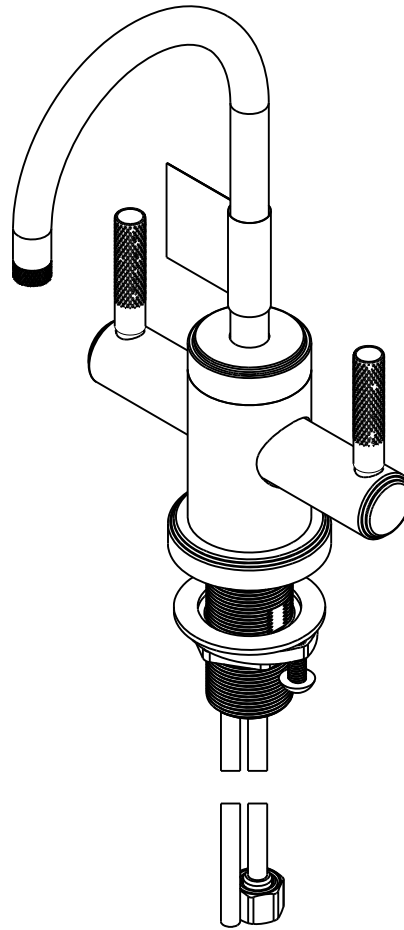


NOTES:

- (N1) 1. FIT / FORM / FUNCTION SHALL FOLLOW PS-E.008.
- 2. APPLY LOCTITE 680
- 3. CUT AND SHORTEN O-RING BY .13" TO .02" IN LENGTH BEFORE INSTALLING
- 4. SLIT O-RING BEFORE INSTALLING
- 5. APPLY LOCTITE 242
- (N6) 6. CONNECT WHITE AND RED TUBING TOGETHER AND WATER TEST WHOLE UNIT
- 7. BAG 5-035 IN A SEPARATE BAG
- (N8) 8. REWORK CARTRIDGE ASSY IF THE HANDLE DOES NOT RETURN TO THE "OFF" POSITION AUTOMATICALLY AFTER WATER TESTING
- 9. INSTALLATION TORQUE: 8-14 LB-FT
- 10. INSTALLATION TORQUE: 78 LB-IN +/- 6 LB-IN.
- 11. LUBRICATE SPRING WITH DOW CORNING III SILICONE COMPOUND
- 12. APPLY LIGHT FILM OF DOW CORNING III SILICONE COMPOUND
- 13. INSTALLATION TORQUE: 10-14 LB-FT



BILL OF MATERIAL (CURRENT LEVEL)

ITEM	PT/ASSY	DESCRIPTION	TYPE	QTY.
1	12693	ESCUTCHEON	PART	1
2	91768	O-RING, #2-130, EP, 50 DURO - GREY	PART	1
3	13287	WATER DISP. BODY H/C (CONT)	PART	1
4	50717	WATER DISP SPOUT RETAINER	PART	1
5	91023	O-RING, #2- 019, EPDM, 65-75 DURO, NSF 61	PART	1
6	20-520	SPOUT ASM	ASSEMBLY	1
7	91382	O-RING, #2- 012, TEFLON,	PART	1
8	91017	O-RING, #2- 012, EPDM, 65-75 DURO, NSF 61	PART	2
9	12690	BODY CAP	PART	1
10	91383	O-RING, #2- 014, TEFLON, NSF 61	PART	1
11	50714	WATER DISP. CAR.T HOLDER	PART	2
12	12694	HANDLE HUB	PART	2
13	92192	SCRW, 10-32 X 5/8 SKT HD CUP PT SS	PART	2
14	13358	WATER DISP LEVER	PART	2
15	91374	RED IDENTIFIER	PART	1
16	91373	BLUE IDENTIFIER	PART	1
17	5-061	ADAPTER/CARTRIDGE ASSY	ASSEMBLY	1
18	1-134	CARTR 3/8 HOT 1/4 TR	PART	1
19	12750	ADAPTER	PART	1
20	92477	SCRW, M4 X 16 SKT FLT HD SS	PART	1
21	1-431	RED SUPPLY LINE	ASSEMBLY	1
22	1-433	GREY SUPPLY LINE	ASSEMBLY	1
23	1-432	BLUE SUPPLY LINE	ASSEMBLY	1
24	13070	RETAINER PLATE	PART	1
25	92016	SCRW, 10-24 X 3/4 SKT HD FLT PT SS	PART	1
26	98043	TAG LABEL, HOT WATER WARNING	PART	1
27	13289	NIPPLE	PART	1
28	1-393	1-1/8 18 UNEF MOUNTING KIT	ASSEMBLY	1
29	5-035	COUPLING & INSERT ASM	ASSEMBLY	1
30	91424	WSHR, .81 ID X .93 OD X .045 THK, FLT, PLST	PART	2

TESTING	-	-	-
ASSEMBLY	-	-	-
PLATING	-	-	-
POLISHING	-	NEXT ASSY	USED ON
MACHINING	-	APPLICATION	
TOOLING FIXTURE #		REMOVE ALL BURRS AND SHARP EDGES	

**BRASSTECH** 2001 CARNEGIE AVE.  
INCORPORATED SANTA ANA, CA 92705  
(949) 417-5207

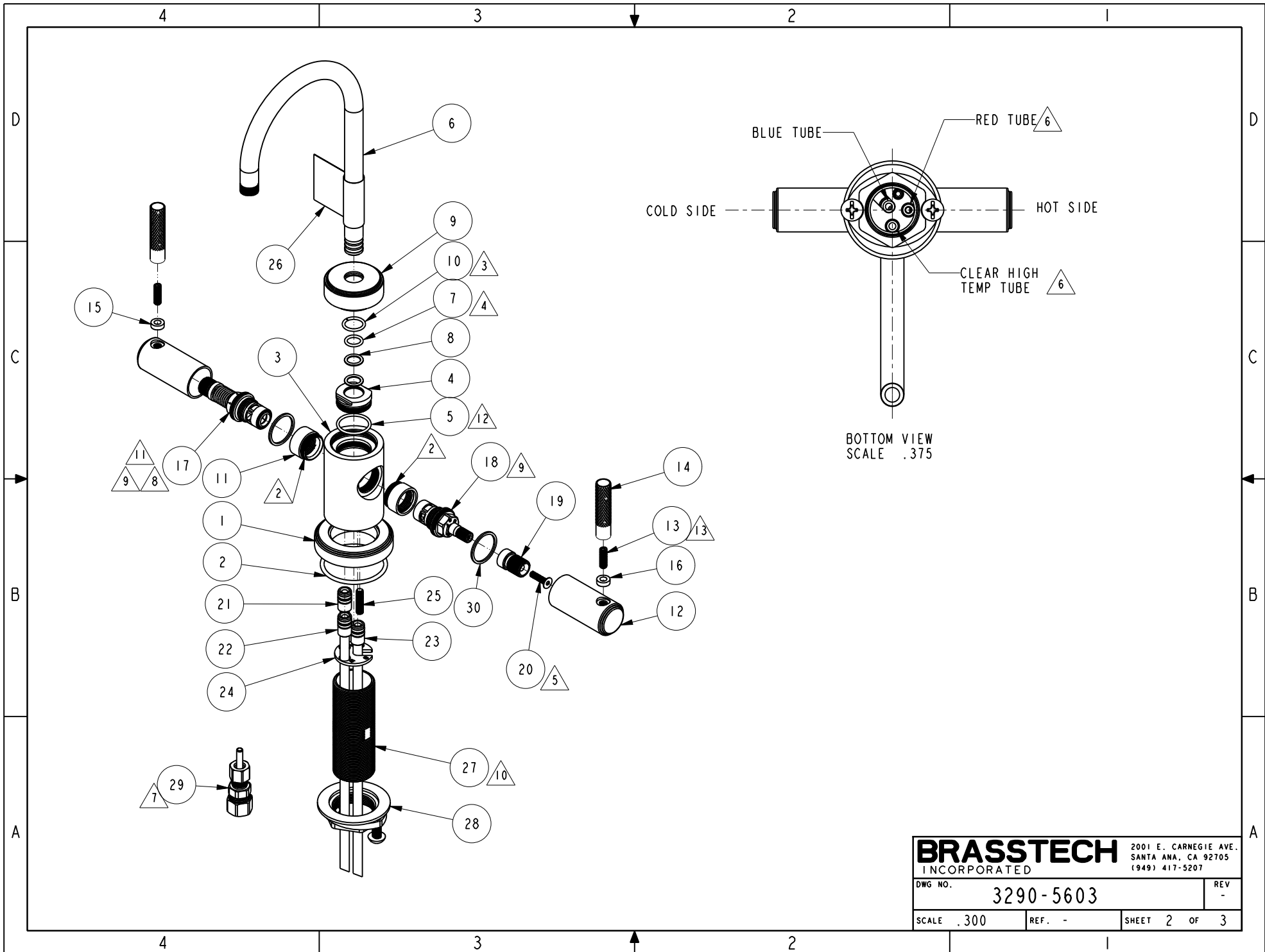
**WATER DISP - HOT & COLD**

DWG NO. **3290-5603** REV -

SCALE .400 REF. - SHEET 1 OF 3

COPYRIGHT 2005 BRASSTECH, INC. THESE DRAWINGS AND THE DESIGNS DEPICTED HEREIN ARE THE PROPRIETARY PROPERTY OF BRASSTECH. ANY USE OR REPRODUCTION IS SUBJECT TO THE EXPRESS APPROVAL OF BRASSTECH. UNAUTHORIZED USE IS STRICTLY PROHIBITED. ALL RIGHTS RESERVED.

EN-3881o	12/04/19	J.M.		
ZONE	REV	DESCRIPTION	DATE	APPROVED



<b>BRASSTECH</b>		2001 E. CARNEGIE AVE.
INCORPORATED		SANTA ANA, CA 92705
		(949) 417-5207
DWG NO.	3290-5603	REV -
SCALE .300	REF. -	SHEET 2 OF 3

