



## MEM Single-lever lavatory mixer with drain - Dark Chrome

33 500 782



- 6-1/2" Projection
- US drain with overflow
- Rigid spout
- Rectangular aerated stream
- Total height 12-1/4"
- Height to aerator/spout outlet 8"
- 1-3/8" hole diameter
- 2 x pressure hose with 3/8" compression fitting
- Water flow rate limited to max. 1.2 gpm
- lead-free
- This product can help a building meet the requirements of Green Building Rating Systems, e.g. LEED®, BREEAM®, DGNB

(ADA)

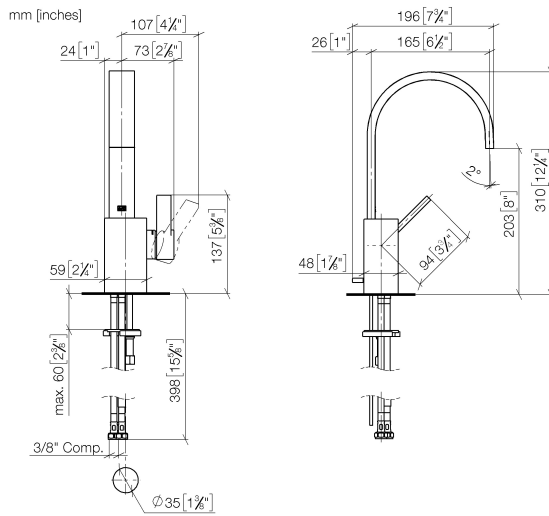
Suitable only for basins with overflow.

	Dark Chrome	33 500 782-19 0010
	Chrome	33 500 782-00 0010
	Brushed Platinum	33 500 782-06 0010
	Platinum	33 500 782-08 0010
	Brushed Durabronze (23kt Gold)	33 500 782-28 0010
	Brushed Champagne (22kt Gold)	33 500 782-46 0010
	Champagne (22kt Gold)	33 500 782-47 0010
	Brushed Dark Platinum	33 500 782-99 0010



## MEM Single-lever lavatory mixer with drain - Dark Chrome

33 500 782



### Codes & Standards

ADA	ASME A112.18.1/CSA B125.1	California Energy Commission (CEC)	NSF/ANSI 372
NSF/ANSI/CAN 61	NSF372	NSF61	

### Certificates

IAPMO\_N-4976      IAPMO\_6397

# MEM Single-lever lavatory mixer with drain - Dark Chrome

33 500 782

Parts for other  
finishes can be found  
here: [Chrome](#)

