



MEM Single-lever lavatory mixer with drain - Brushed Dark Platinum

33 500 782 Product version from 5/5/2021



- 6-1/2" Projection
- US drain with overflow
- Rigid spout
- Rectangular aerated stream
- Total height 12-1/4"
- Height to aerator/spout outlet 8"
- 1-3/8" hole diameter
- 2 x pressure hose with 3/8" compression fitting
- Water flow rate limited to max. 1.2 gpm
- lead-free
- This product can help a building meet the requirements of Green Building Rating Systems, e.g. LEED®, BREEAM®, DGNB

(ADA)

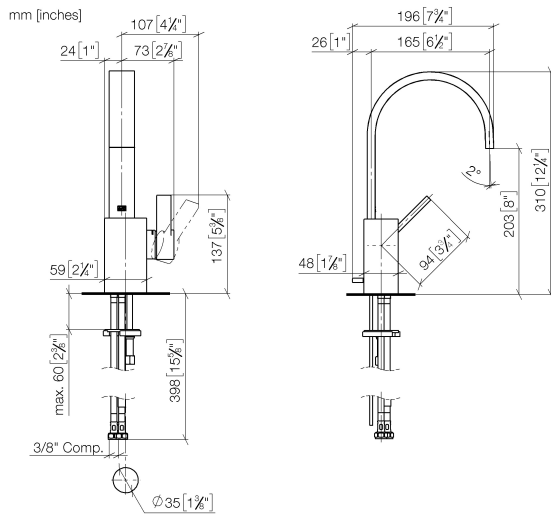
Suitable only for basins with overflow.

	Brushed Dark Platinum	33 500 782-99 0010
	Chrome	33 500 782-00 0010
	Brushed Platinum	33 500 782-06 0010
	Platinum	33 500 782-08 0010
	Dark Chrome	33 500 782-19 0010
	Brushed Durabronze (23kt Gold)	33 500 782-28 0010
	Brushed Champagne (22kt Gold)	33 500 782-46 0010
	Champagne (22kt Gold)	33 500 782-47 0010



MEM Single-lever lavatory mixer with drain - Brushed Dark Platinum

33 500 782 Product version from 5/5/2021



Codes & Standards

ADA

ASME
A112.18.1/CSA
B125.1

California Energy
Commission
(CEC)

NSF/ANSI 372

NSF/ANSI/CAN
61

NSF372

NSF61

Certificates

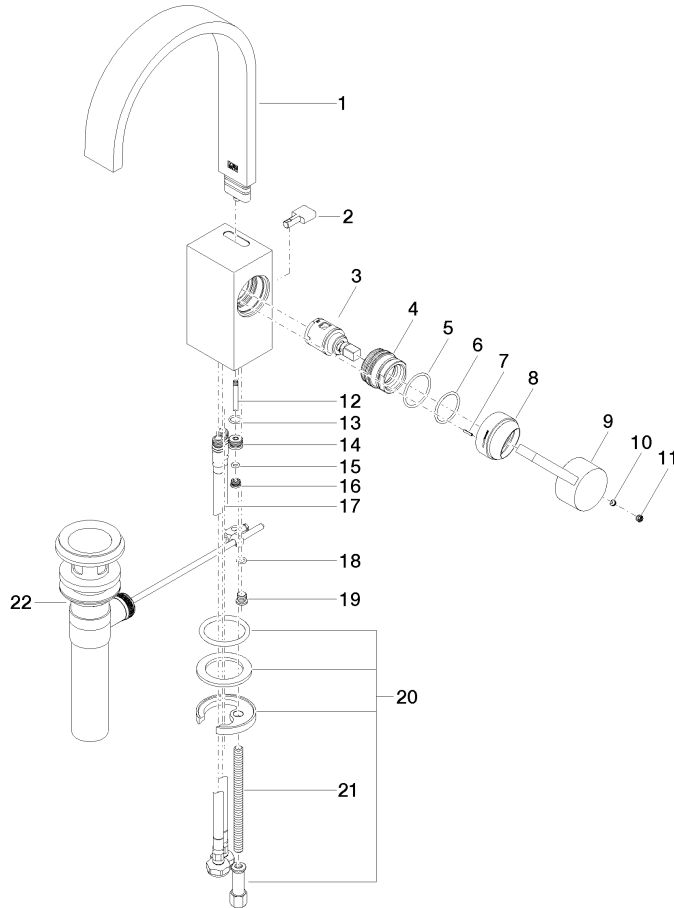
IAPMO_N-4976

IAPMO_6397

MEM Single-lever lavatory mixer with drain - Brushed Dark Platinum

33 500 782 Product version from 5/5/2021

Parts for other
finishes can be found
here: [Chrome](#)





MEM Single-lever lavatory mixer with drain - Brushed Dark Platinum

33 500 782 Product version from 5/5/2021

Spare parts list

Number	Item Number	Designation	Number of units	Lead time
1	90 28 22 153 02-99	spout	1	20
2	09 20 78 032-99	handle	1	20
3	90 15 05 042 00 90	cartridge	1	2
4	09 24 04 288 90	nut	1	2
5	09 14 10 137 90	seal	1	2
6	90 14 10 063 00 90	seal	1	2
7	09 31 11 152 90	pin	1	2
8	09 28 30 028-99	cover	1	20
9	09 20 78 057-99	handle	1	20
10	90 31 11 063 00 90	pin	1	2
11	90 31 20 109 00 90	plug	1	2
12	09 31 09 080-99	pull-rod	1	20
13	09 14 10 042 90	seal	1	2
14	09 24 04 289-99	nipple	1	20
15	09 14 10 166 90	seal	1	2
16	09 24 04 290 90	nipple	1	2
17	04 30 04 106 00 90	hose	2	2
18	09 14 10 132 90	seal	1	2
19	09 31 20 027 10-00	plug	1	10
20	04 30 11 038 75 90	fixing set	1	2
21	09 31 11 012 90	pin	1	2
22	90 11 01 023 00-99	pop-up waste	1	20