



## Sink - Lissé

Single-lever lavatory mixer with drain - platinum matte

Article number: 33 500 845-06 0010



- 5-1/8" Projection
- US drain with overflow
- Rigid spout
- Round aerated stream
- Total height 5"
- Height to aerator/spout outlet 3"
- 1-3/8" hole diameter
- 2x 10 mm flexible supply lines including 3/8" US adapters
- Water flow rate limited to max. 1.2 gpm
- lead-free

### Codes & Standards

- NSF/ANSI 372
- California Energy Commission (CEC)
- ASME A112.18.1/CSA B125.1
- NSF/ANSI/CAN 61
- ADA

- (ADA)
- Suitable only for basins with overflow.



platinum matte



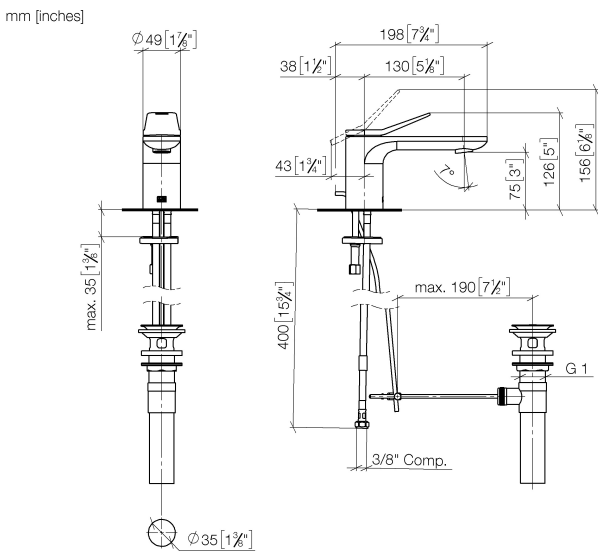


## Sink - Lissé

Single-lever lavatory mixer with drain - platinum matte

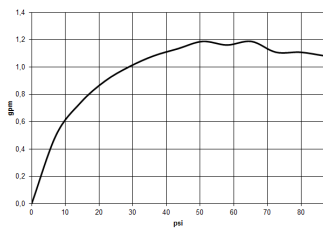
Article number: 33 500 845-06 0010

## Dimensional drawing



All dimensions in mm / inch = mm x 0,0394

## Flow rate chart





## Sink - Lissé

Single-lever lavatory mixer with drain - platinum matte

Article number: 33 500 845-06 0010

### Other surface finishes

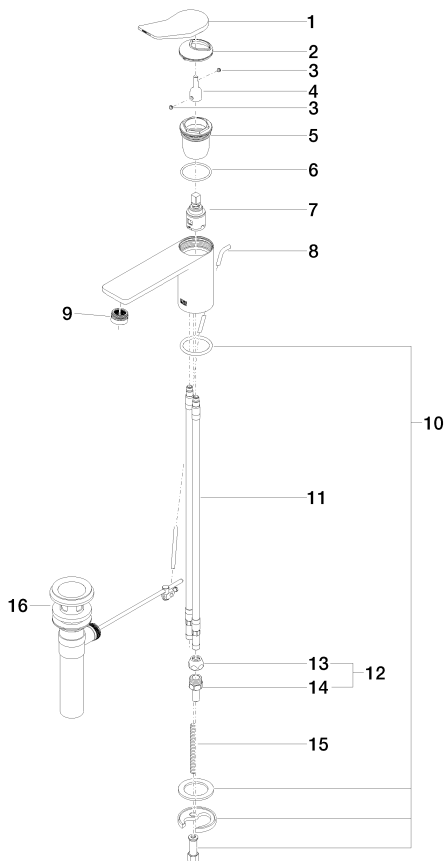


polished chrome

33 500 845-00 0010

More custom finish options are available via special production (xTra Service). Please see our finish matrix for availability and pricing or contact a Dornbracht representative.

### Spare parts list



Number	Item Number	Designation	Number of units
1	09 20 84 020-06	handle	1
2	09 28 30 034 90	cover	1
3	09 31 11 063 90	pin	2
4	09 29 06 117 90	extension	1
5	09 23 10 123 90	nut	1
6	09 14 10 038 90	seal	1
7	90 15 05 042 00 90	cartridge	1
8	09 31 09 120-06	pull-rod	1
9	90 23 01 161 03-06	aerator	1
10	04 30 11 038 75 90	fixing set	1
11	04 30 04 018 00 90	hose	2
12	04 24 04 222 00-06	adaptor	1
13	04 23 30 031 01-07	threaded connector	2
14	09 24 04 222 10-06	adaptor	2
15	09 31 11 011 90	pin	1
16	04 11 01 023 00-06	Drain 1" - platinum matte	1