



MEM Single-lever lavatory mixer with drain - Brushed Platinum

33 502 782 Product version from 9/1/2022



- 4-1/2" Projection
- US drain with overflow
- Rigid spout
- Rectangular aerated stream
- Total height 11-1/8"
- Height to aerator/spout outlet 8-1/2"
- 1-3/8" hole diameter
- 2x 3/8" flexible supply lines
- 2x 3/8" US flexible supply lines
- Water flow rate limited to max. 1.2 gpm
- lead-free
- This product can help a building meet the requirements of Green Building Rating Systems, e.g. LEED®, BREEAM®, DGNB

Suitable only for basins with overflow.

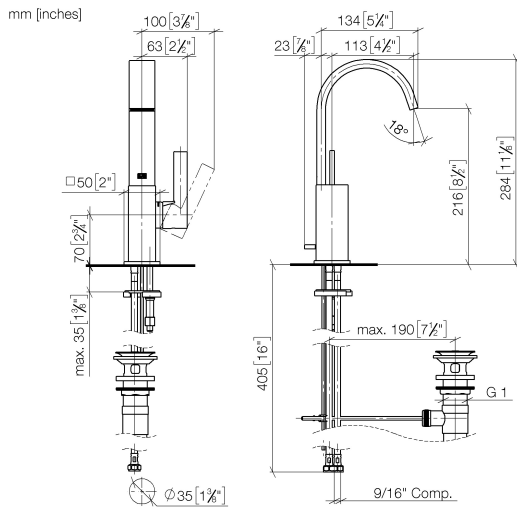
(ADA)

	Brushed Platinum	33 502 782-06 0010
	Chrome	33 502 782-00 0010
	Platinum	33 502 782-08 0010
	Dark Chrome	33 502 782-19 0010
	Brushed Durabronze (23kt Gold)	33 502 782-28 0010
	Brushed Champagne (22kt Gold)	33 502 782-46 0010
	Champagne (22kt Gold)	33 502 782-47 0010
	Brushed Dark Platinum	33 502 782-99 0010

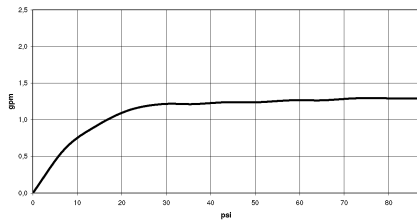


MEM Single-lever lavatory mixer with drain - Brushed Platinum

33 502 782 Product version from 9/1/2022



Flow rate chart



Codes & Standards

California Energy
Commission
(CEC)

NSF372

NSF61



MEM Single-lever lavatory mixer with drain - Brushed Platinum

33 502 782 Product version from 9/1/2022

Certificates

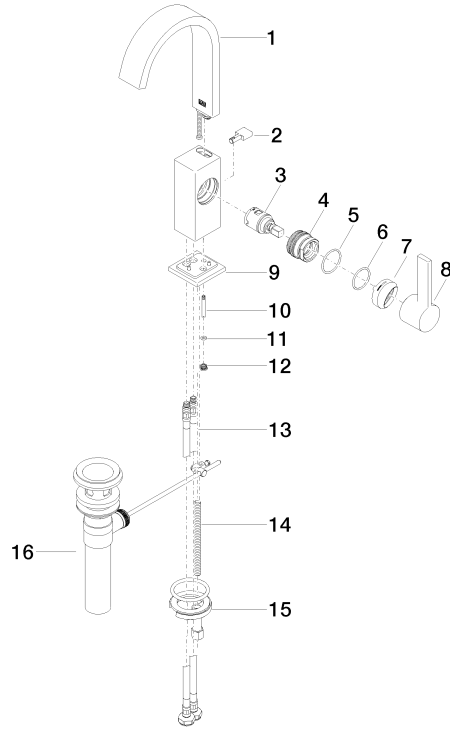
IAPMO_6397

IAPMO_N-4976

MEM Single-lever lavatory mixer with drain - Brushed Platinum

33 502 782 Product version from 9/1/2022

Parts for other finishes can be found here: [Chrome](#)



Spare parts list

Number	Item Number	Designation	Number of units	Lead time
1	90 28 22 366 10-06	spout	1	10
2	09 20 78 032-06	handle	1	10
3	90 15 05 042 00 90	cartridge	1	2
4	09 24 04 288 90	nut	1	2
5	09 14 10 137 90	seal	1	2
6	90 14 10 063 00 90	seal	1	2
7	90 28 30 051 00-06	cover	1	10
8	90 20 86 004 00-06	handle	1	10
9	90 27 66 021 00-06	rosette	1	10
10	09 31 09 080-06	pull-rod	1	10
11	09 14 10 166 90	seal	1	2
12	09 24 04 290 90	nipple	1	2
13	04 30 04 102 00 90	Flexible supply line 3/8" -	2	2
14	09 31 11 012 90	pin	1	2
15	04 30 11 038 00 90	fixing set	1	2
16	90 11 01 023 00-06	pop-up waste	1	10