

# TARA ULTRA Single-lever mixer - Platinum

33 800 875 Product version from 6/1/2022



- 7-7/8" Projection
- Swiveling spout 360°
- Aerated stream
- Total height 14-5/8"
- Height to aerator/spout outlet 9-1/2"
- 1-3/8" hole diameter
- 2 x pressure hose with 3/8" compression fitting
- Water flow rate limited to max. 1.5 gpm
- lead-free
- This product can help a building meet the requirements of Green Building Rating Systems, e.g. LEED®, BREEAM®, DGNB

(ADA)

Combination with side spray set or profi side spray set not possible.

	Platinum	33 800 875-08 0010
	Chrome	33 800 875-00 0010
	Brushed Platinum	33 800 875-06 0010
	Durabronze (23kt Gold)	33 800 875-09 0010
	Dark Chrome	33 800 875-19 0010
	Brushed Durabronze (23kt Gold)	33 800 875-28 0010
	Matte Black	33 800 875-33 0010
	Brushed Bronze	33 800 875-42 0010
	Brushed Champagne (22kt Gold)	33 800 875-46 0010
	Champagne (22kt Gold)	33 800 875-47 0010
	Brushed Chrome	33 800 875-93 0010
	Brushed Dark Platinum	33 800 875-99 0010

## Recommended article

**AIR SWITCH operating button, trim parts only - Platinum** 10 713 970-08



## Recommended article

**AIR SWITCH operating button, trim parts only - Platinum** 10 713 970-08



## Recommended article

**Soap dispenser without flange - Platinum** 82 424 970-08



## Recommended article

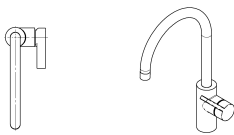
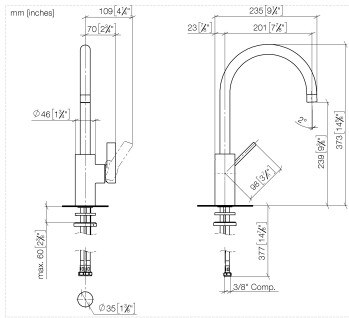
**Soap dispenser without flange - Platinum** 82 424 970-08



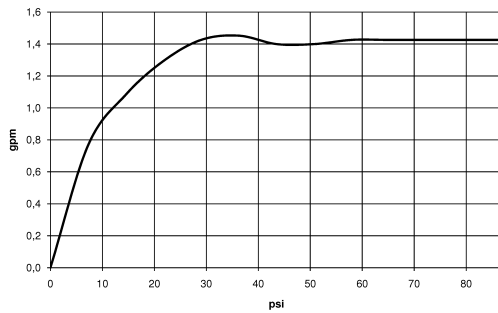


# TARA ULTRA Single-lever mixer - Platinum

33 800 875 Product version from 6/1/2022



## Flow rate chart



## Codes & Standards

ADA	ASME A112.18.1	ASME A112.18.1/CSA B125.1	California Energy Commission (CEC)
cUPC	NSF/ANSI 372	NSF/ANSI/CAN 61	NSF372
NSF61			



## TARA ULTRA Single-lever mixer - Platinum

---

33 800 875 Product version from 6/1/2022

### Certificates

---

IAPMO\_N-4976

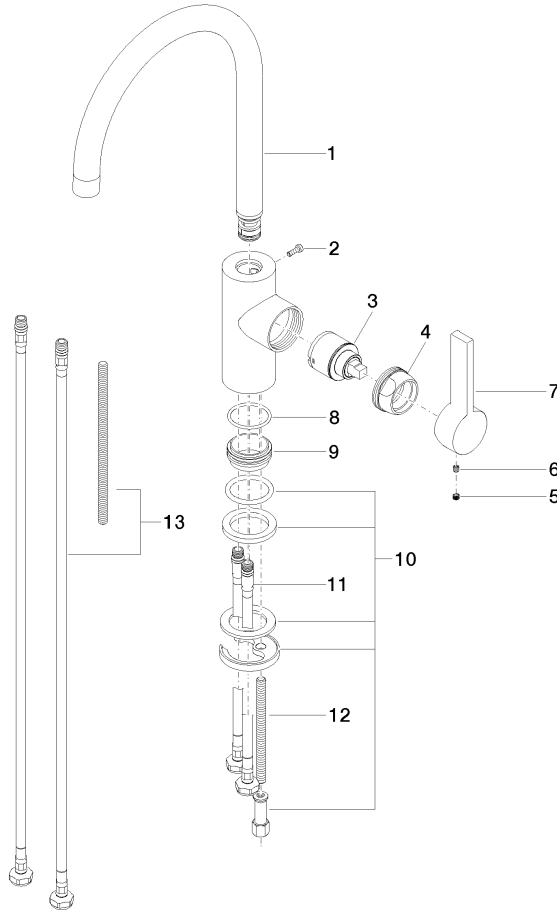
IAPMO\_6397

IAPMO\_4976 (

## TARA ULTRA Single-lever mixer - Platinum

33 800 875 Product version from 6/1/2022

Parts for other finishes can be found here: [Chrome](#)



### Spare parts list

Number	Item Number	Designation	Number of units	Lead time
1	90 28 22 204 03-08	spout	1	40
2	09 30 30 080 90	screw	1	2
3	90 15 05 045 00 90	cartridge	1	2
4	09 24 04 107-08	nut	1	40
5	90 31 20 109 00 90	plug	1	2
6	90 31 11 030 00 90	pin	1	2
7	09 20 79 040-08	handle	1	40
8	09 14 10 119 90	seal	1	2
9	09 28 10 109-07	ring	1	30
10	04 30 11 085 88 90	fixing set	1	2
11	04 30 04 106 00 90	hose	2	2
12	09 31 11 012 90	pin	1	2
13	12 803 970-90 0010	Extension set -	1	60