

## TARA Single-lever mixer - Matte Black

33 800 888 Product version from 9/1/2021



- 7-7/8" Projection
- Swiveling spout 360°
- Aerated stream
- Total height 12-3/4"
- Height to aerator/spout outlet 7-1/8"
- 1-3/8" hole diameter
- 2 x pressure hose with 3/8" compression fitting
- Water flow rate limited to max. 1.5 gpm
- lead-free
- This product can help a building meet the requirements of Green Building Rating Systems, e.g. LEED®, BREEAM®, DGNB

Combination with side spray set or profi side spray set not possible.

(ADA)

	Matte Black	33 800 888-33 0010
	Chrome	33 800 888-00 0010
	Brushed Platinum	33 800 888-06 0010
	Platinum	33 800 888-08 0010
	Durabross (23kt Gold)	33 800 888-09 0010
	Dark Chrome	33 800 888-19 0010
	Brushed Durabross (23kt Gold)	33 800 888-28 0010
	Brushed Bronze	33 800 888-42 0010
	Brushed Champagne (22kt Gold)	33 800 888-46 0010
	Champagne (22kt Gold)	33 800 888-47 0010
	Brushed Chrome	33 800 888-93 0010
	Brushed Dark Platinum	33 800 888-99 0010

### Recommended article

**AIR SWITCH operating button, trim parts only - Matte Black** 10 713 970-33



### Recommended article

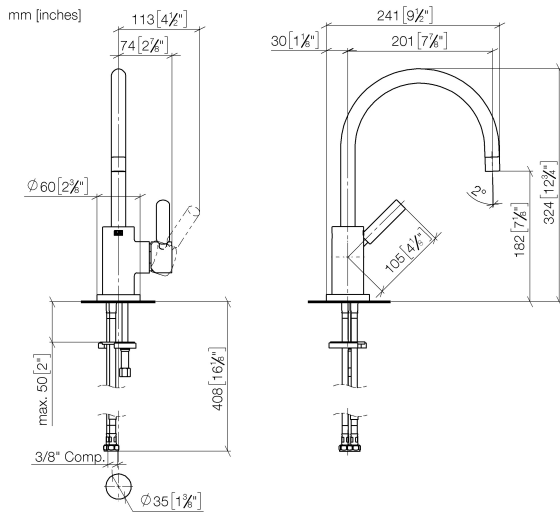
**Soap dispenser with flange - Matte Black** 82 444 970-33



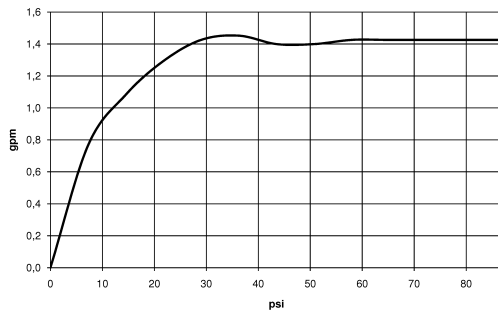


## TARA Single-lever mixer - Matte Black

33 800 888 Product version from 9/1/2021



### Flow rate chart



### Codes & Standards

ADA	ASME A112.18.1/CSA B125.1	California Energy Commission (CEC)	NSF/ANSI 372
NSF/ANSI/CAN 61	NSF372	NSF61	



## TARA Single-lever mixer - Matte Black

---

33 800 888 Product version from 9/1/2021

### Certificates

---

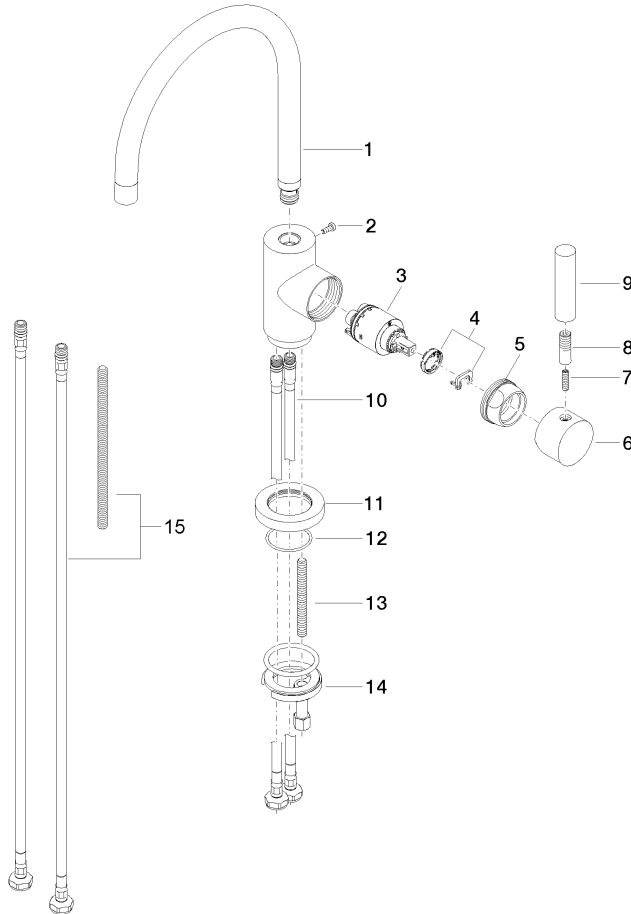
IAPMO\_N-4976

IAPMO\_6397

## TARA Single-lever mixer - Matte Black

33 800 888 Product version from 9/1/2021

Parts for other finishes can be found here: [Chrome](#)



### Spare parts list

Number	Item Number	Designation	Number of units	Lead time
1	90 28 22 048 03-33	spout	1	30
2	09 30 30 054 90	screw	1	2
3	90 15 05 065 00 90	cartridge	1	2
4	90 28 10 148 00 90	accessories	1	2
5	09 24 04 107-33	nut	1	30
6	90 20 88 040 00-33	handle	1	2
7	09 31 11 010 90	pin	1	2
8	90 24 04 048 00-33	nipple	1	30
9	11 170 880-33	handle	1	30
10	04 30 04 106 00 90	hose	2	2
11	09 28 10 055-33	rosette	1	2
12	09 14 10 034 90	seal	1	2
13	09 31 11 011 90	pin	1	2
14	04 30 11 038 00 90	fixing set	1	2
15	12 803 970-90 0010	Extension set -	1	60