



# TARA ULTRA Single-lever mixer - Chrome

33 816 875 Product version from 6/1/2022



- 9-1/2" Projection
- Swiveling spout 360°
- Aerated stream
- Total height 15-1/2"
- Height to aerator/spout outlet 9-1/2"
- 1-3/8" hole diameter
- 2 x pressure hose with 3/8" compression fitting
- Water flow rate limited to max. 1.5 gpm
- lead-free
- This product can help a building meet the requirements of Green Building Rating Systems, e.g. LEED®, BREEAM®, DGNB

(ADA)

Combination with side spray set or profi side spray set not possible.

	Chrome	33 816 875-00 0010
	Brushed Platinum	33 816 875-06 0010
	Platinum	33 816 875-08 0010
	Durabronze (23kt Gold)	33 816 875-09 0010
	Dark Chrome	33 816 875-19 0010
	Brushed Durabronze (23kt Gold)	33 816 875-28 0010
	Matte Black	33 816 875-33 0010
	Brushed Bronze	33 816 875-42 0010
	Brushed Champagne (22kt Gold)	33 816 875-46 0010
	Champagne (22kt Gold)	33 816 875-47 0010
	Brushed Chrome	33 816 875-93 0010
	Brushed Dark Platinum	33 816 875-99 0010

## Recommended article

**AIR SWITCH operating button, trim parts only - Chrome** 10 713 970-00



## Recommended article

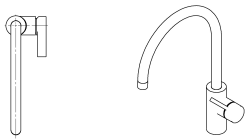
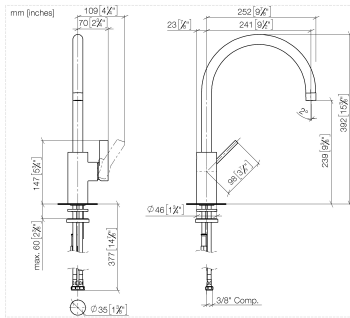
**Soap dispenser without flange - Chrome** 82 424 970-00



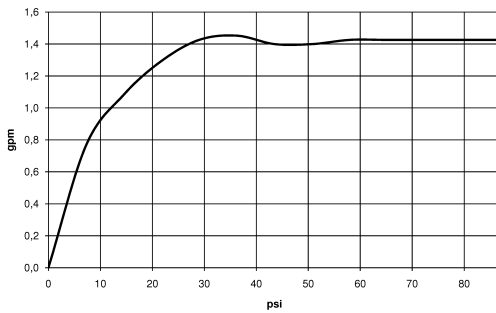


# TARA ULTRA Single-lever mixer - Chrome

33 816 875 Product version from 6/1/2022



## Flow rate chart



## Codes & Standards

ADA	ASME A112.18.1	ASME A112.18.1/CSA B125.1	California Energy Commission (CEC)
cUPC	NSF/ANSI 372	NSF/ANSI/CAN 61	NSF372
NSF61			



## TARA ULTRA Single-lever mixer - Chrome

---

33 816 875 Product version from 6/1/2022

### Certificates

---

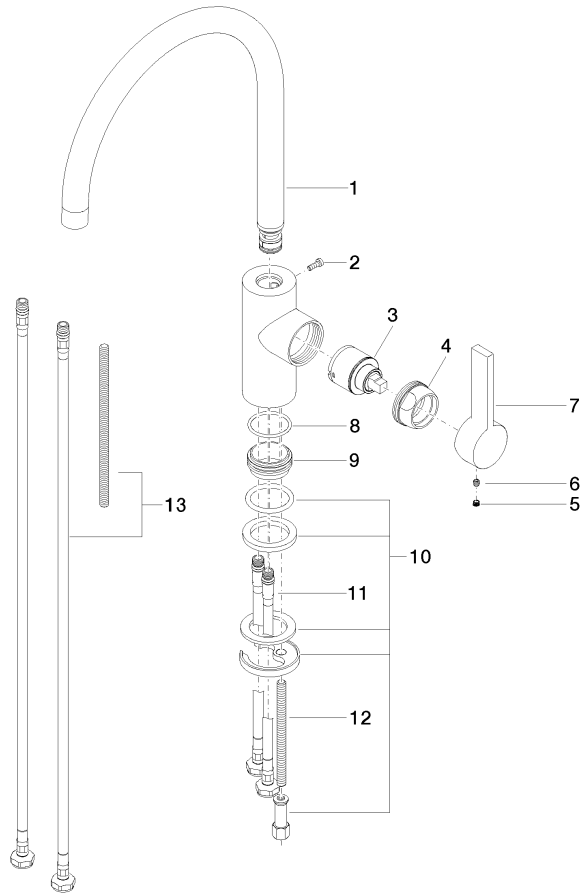
IAPMO\_N-4976

IAPMO\_6397

IAPMO\_4976 (

**TARA ULTRA Single-lever mixer - Chrome**

33 816 875 Product version from 6/1/2022



**Spare parts list**

Number	Item Number	Designation	Number of units	Lead time
1	90 28 22 202 03-00	spout	1	10
2	09 30 30 080 90	screw	1	2
3	90 15 05 045 00 90	cartridge	1	2
4	09 24 04 107-00	nut	1	10
5	90 31 20 109 00 90	plug	1	2
6	90 31 11 030 00 90	pin	1	2
7	09 20 79 040-00	handle	1	10
8	09 14 10 119 90	seal	1	2
9	09 28 10 109-07	ring	1	30
10	04 30 11 085 88 90	fixing set	1	2
11	04 30 04 106 00 90	hose	2	2
13	09 31 11 012 90	pin	2	2