

TARA ULTRA Single-lever mixer - Matte Black

33 816 875 Product version from 6/1/2022



- 9-1/2" Projection
- Swiveling spout 360°
- Aerated stream
- Total height 15-1/2"
- Height to aerator/spout outlet 9-1/2"
- 1-3/8" hole diameter
- 2 x pressure hose with 3/8" compression fitting
- Water flow rate limited to max. 1.5 gpm
- lead-free
- This product can help a building meet the requirements of Green Building Rating Systems, e.g. LEED®, BREEAM®, DGNB

(ADA)

Combination with side spray set or profi side spray set not possible.

	Matte Black	33 816 875-33 0010
	Chrome	33 816 875-00 0010
	Brushed Platinum	33 816 875-06 0010
	Platinum	33 816 875-08 0010
	Durabronze (23kt Gold)	33 816 875-09 0010
	Dark Chrome	33 816 875-19 0010
	Brushed Durabronze (23kt Gold)	33 816 875-28 0010
	Brushed Bronze	33 816 875-42 0010
	Brushed Champagne (22kt Gold)	33 816 875-46 0010
	Champagne (22kt Gold)	33 816 875-47 0010
	Brushed Chrome	33 816 875-93 0010
	Brushed Dark Platinum	33 816 875-99 0010

Recommended article

Soap dispenser without flange - Matte Black 82 424 970-33



Recommended article

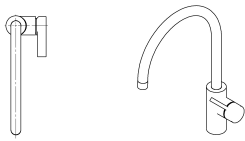
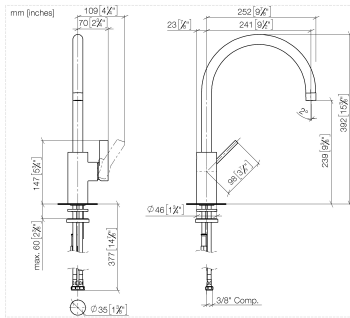
AIR SWITCH operating button, trim parts only - Matte Black 10 713 970-33



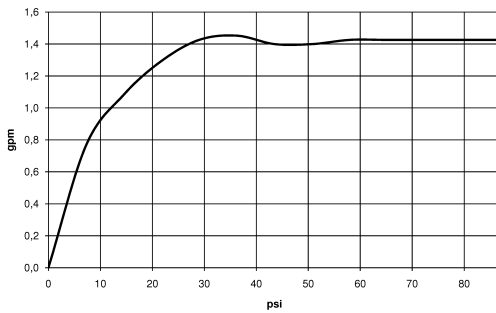


TARA ULTRA Single-lever mixer - Matte Black

33 816 875 Product version from 6/1/2022



Flow rate chart



Codes & Standards

ADA	ASME A112.18.1/CSA B125.1	California Energy Commission (CEC)	NSF/ANSI 372
NSF/ANSI/CAN 61	NSF372	NSF61	



TARA ULTRA Single-lever mixer - Matte Black

33 816 875 Product version from 6/1/2022

Certificates

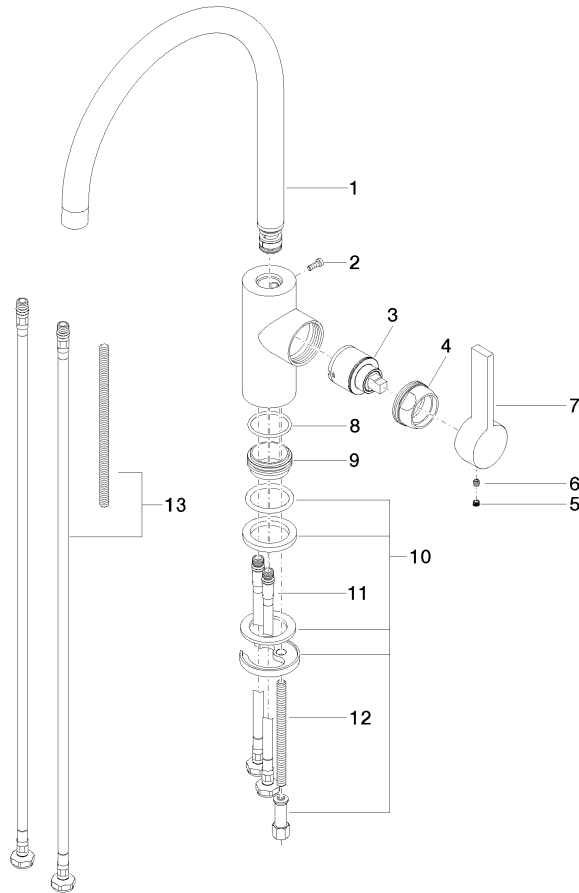
IAPMO_N-4976

IAPMO_6397

TARA ULTRA Single-lever mixer - Matte Black

33 816 875 Product version from 6/1/2022

Parts for other finishes can be found here: [Chrome](#)



Spare parts list

Number	Item Number	Designation	Number of units	Lead time
1	90 28 22 202 03-33	spout	1	30
2	09 30 30 080 90	screw	1	2
3	90 15 05 045 00 90	cartridge	1	2
4	09 24 04 107-33	nut	1	30
5	90 31 20 109 00 90	plug	1	2
6	90 31 11 030 00 90	pin	1	2
7	09 20 79 040-33	handle	1	2
8	09 14 10 119 90	seal	1	2
9	09 28 10 109-07	ring	1	30
10	04 30 11 085 88 90	fixing set	1	2
11	04 30 04 106 00 90	hose	2	2
13	12 803 970-90 0010	Extension set -	2	60