

TARA ULTRA Single-lever mixer - Brushed Chrome

33 816 875 Product version from 6/1/2022



- 9-1/2" Projection
- Swiveling spout 360°
- Aerated stream
- Total height 15-1/2"
- Height to aerator/spout outlet 9-1/2"
- 1-3/8" hole diameter
- 2 x pressure hose with 3/8" compression fitting
- Water flow rate limited to max. 1.5 gpm
- lead-free
- This product can help a building meet the requirements of Green Building Rating Systems, e.g. LEED®, BREEAM®, DGNB

(ADA)

Combination with side spray set or profi side spray set not possible.

| | | |
|---|--------------------------------|--------------------|
|  | Brushed Chrome | 33 816 875-93 0010 |
|  | Chrome | 33 816 875-00 0010 |
|  | Brushed Platinum | 33 816 875-06 0010 |
|  | Platinum | 33 816 875-08 0010 |
|  | Durabronze (23kt Gold) | 33 816 875-09 0010 |
|  | Dark Chrome | 33 816 875-19 0010 |
|  | Brushed Durabronze (23kt Gold) | 33 816 875-28 0010 |
|  | Matte Black | 33 816 875-33 0010 |
|  | Brushed Bronze | 33 816 875-42 0010 |
|  | Brushed Champagne (22kt Gold) | 33 816 875-46 0010 |
|  | Champagne (22kt Gold) | 33 816 875-47 0010 |
|  | Brushed Dark Platinum | 33 816 875-99 0010 |

Recommended article

Soap dispenser without flange - Brushed Chrome 82 424 970-93



Recommended article

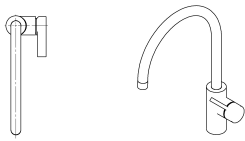
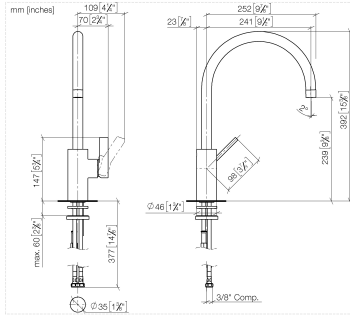
AIR SWITCH operating button, trim parts only - Brushed Chrome 10 713 970-93



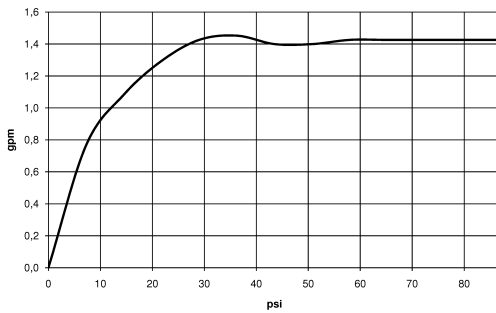


TARA ULTRA Single-lever mixer - Brushed Chrome

33 816 875 Product version from 6/1/2022



Flow rate chart



Codes & Standards

| | | | |
|--------------------|---------------------------------|--|--------------|
| ADA | ASME A112.18.1/CSA B125.1 | California Energy Commission (CEC) | NSF/ANSI 372 |
| NSF/ANSI/CAN 61 | NSF372 | NSF61 | |



TARA ULTRA Single-lever mixer - Brushed Chrome

33 816 875 Product version from 6/1/2022

Certificates

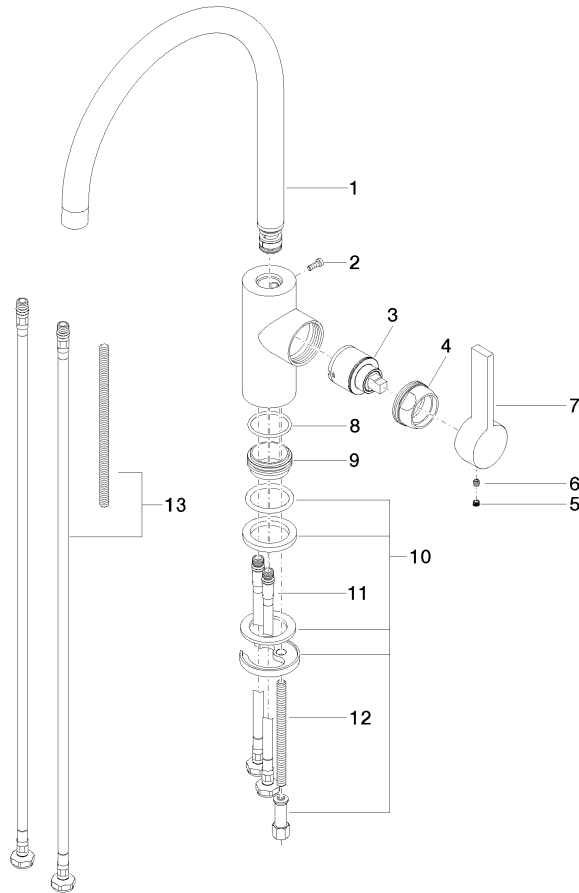
IAPMO_N-4976

IAPMO_6397

TARA ULTRA Single-lever mixer - Brushed Chrome

33 816 875 Product version from 6/1/2022

Parts for other finishes can be found here: [Chrome](#)



Spare parts list

| Number | Item Number | Designation | Number of units | Lead time |
|--------|--------------------|-------------|-----------------|-----------|
| 1 | 90 28 22 202 03-93 | spout | 1 | 20 |
| 2 | 09 30 30 080 90 | screw | 1 | 2 |
| 3 | 90 15 05 045 00 90 | cartridge | 1 | 2 |
| 4 | 09 24 04 107-93 | nut | 1 | 20 |
| 5 | 90 31 20 109 00 90 | plug | 1 | 2 |
| 6 | 90 31 11 030 00 90 | pin | 1 | 2 |
| 7 | 09 20 79 040-93 | handle | 1 | 60 |
| 8 | 09 14 10 119 90 | seal | 1 | 2 |
| 9 | 09 28 10 109-07 | ring | 1 | 30 |
| 10 | 04 30 11 085 88 90 | fixing set | 1 | 2 |
| 11 | 04 30 04 106 00 90 | hose | 2 | 2 |
| 13 | 09 31 11 012 90 | pin | 2 | 2 |