



## TARA ULTRA Profi single-lever mixer - Brushed Chrome

33 860 875 Product version from 6/1/2022



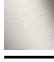






- 9-1/2" Projection
- Swiveling 360°
- Aerated stream and spray mode
- Total height 27"
- Height to aerator/spout outlet 5-1/8"
- 1-3/8" hole diameter
- 2 x pressure hose with 3/8" compression fitting
- Sprayface with descaling system
- Water flow rate limited to max. 1.5 gpm
- lead-free
- This product can help a building meet the requirements of Green Building Rating Systems, e.g. LEED®, BREEAM®, DGNB

(ADA)

Internal backflow preventer.

Switch back and forth between aerator and spray mode while water is running.

	Brushed Chrome	33 860 875-93 0010
	Chrome	33 860 875-00 0010
	Brushed Platinum	33 860 875-06 0010
	Platinum	33 860 875-08 0010
	Dark Chrome	33 860 875-19 0010
	Brushed Bronze	33 860 875-42 0010
	Brushed Dark Platinum	33 860 875-99 0010

### Recommended article

**Soap dispenser without flange - Brushed Chrome** 82 424 970-93



### Recommended article

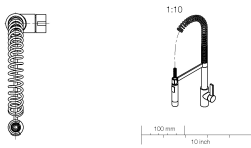
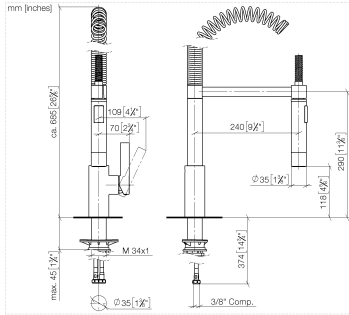
**AIR SWITCH operating button, trim parts only - Brushed Chrome** 10 713 970-93





## TARA ULTRA Profi single-lever mixer - Brushed Chrome

33 860 875 Product version from 6/1/2022



### Flow rate chart



### Codes & Standards

ADA

ASME  
A112.18.1/CSA  
B125.1

California Energy  
Commission  
(CEC)

NSF/ANSI 372

NSF/ANSI/CAN  
61

NSF372

NSF61



## TARA ULTRA Profi single-lever mixer - Brushed Chrome

---

33 860 875 Product version from 6/1/2022

### Certificates

---

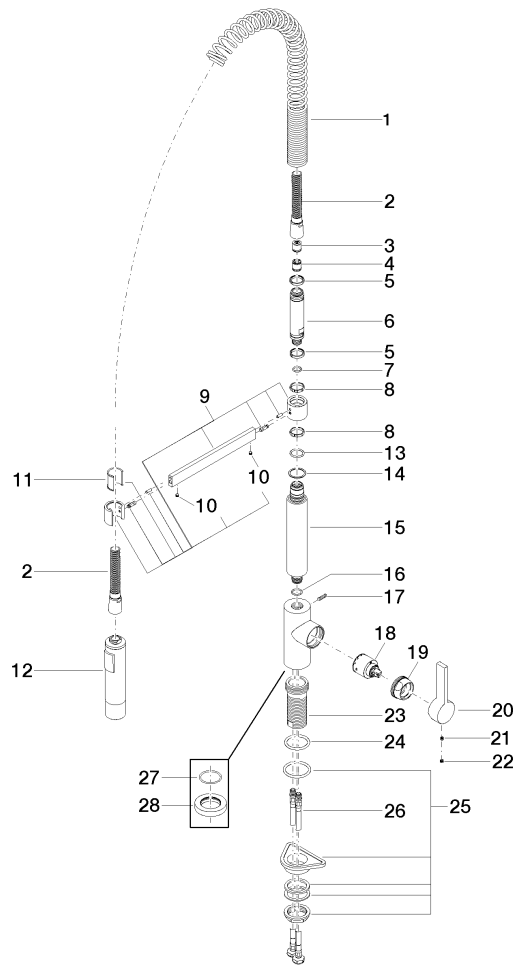
IAPMO\_N-4976

IAPMO\_6397

## TARA ULTRA Profi single-lever mixer - Brushed Chrome

33 860 875 Product version from 6/1/2022

Parts for other finishes can be found here: [Chrome](#)



## TARA ULTRA Profi single-lever mixer - Brushed Chrome

33 860 875 Product version from 6/1/2022

### Spare parts list

Number	Item Number	Designation	Number of units	Lead time
1	09 16 02 035 90	spring	1	2
2	90 30 02 065 00-93	hose	1	20
3	90 23 01 080 00 90	back-flow preventer	1	2
4	90 23 01 141 00 90	back-flow preventer	1	2
5	09 14 15 024 90	ring	2	2
6	09 30 01 067 10-93	adaptor	1	60
7	90 14 10 077 00 90	seal	1	2
8	09 28 10 181 90	ring	2	2
9	04 17 20 029 00-93	holder	1	20
10	90 31 11 112 00 90	pin	2	2
11	09 18 40 118 90	sleeve	1	2
12	04 12 11 092 10-93	shower	1	20
13	09 14 10 100 90	seal	1	2
14	09 28 10 122 90	ring	1	2
15	09 11 10 072 10-93	connection	1	20
16	90 14 10 055 00 90	seal	1	2
17	04 31 11 113 00 90	pin	1	2
18	90 15 05 045 00 90	cartridge	1	2
19	09 24 04 107-93	nut	1	20
20	09 20 79 040-93	handle	1	60
21	90 31 11 030 00 90	pin	1	2
22	90 31 20 109 00 90	plug	1	2
23	09 30 01 111 20 90	sleeve	1	2
24	09 14 10 036 90	seal	1	2
25	04 23 10 044 02 90	fixing set	1	2
26	04 30 04 107 00 90	hose	2	2
27	09 14 10 149 90	seal	1	2
28	09 28 10 035-93	rosette	1	-

Spare part can no longer be ordered, please order the replacement item