



TARA ULTRA Single-lever mixer pull-down with spray function - Chrome

33 870 875 Product version from 2/26/2015



- 9-1/2" Projection
- Swiveling spout 360°
- Optional restricted swivel available with swivel limiter set 12 823 970 90
- Laminar and spray function
- Total height 19-5/8"
- 9-1/2" height to aerator/spout outlet
- 1-3/8" hole diameter
- 2 x pressure hose with 3/8" compression fitting
- 59" metal shower hose
- Sprayface with descaling system
- Water flow rate limited to max. 1.5 gpm
- lead-free
- Spray types can be changed while the water is running
- This product can help a building meet the requirements of Green Building Rating Systems, e.g. LEED®, BREEAM®, DGNB

(ADA)

Internal backflow preventer.

Push button locks into spray mode when pressed. To switch back to laminar flow the water must be turned off.

	Chrome	33 870 875-00 0010
	Brushed Platinum	33 870 875-06 0010
	Platinum	33 870 875-08 0010
	Durabronze (23kt Gold)	33 870 875-09 0010
	Dark Chrome	33 870 875-19 0010
	Brushed Durabronze (23kt Gold)	33 870 875-28 0010
	Matte Black	33 870 875-33 0010
	Brushed Bronze	33 870 875-42 0010
	Brushed Champagne (22kt Gold)	33 870 875-46 0010
	Champagne (22kt Gold)	33 870 875-47 0010
	Brushed Chrome	33 870 875-93 0010
	Brushed Dark Platinum	33 870 875-99 0010

Recommended article

Swivel limiter set -

12 823 970 90



Recommended article

AIR SWITCH operating button, trim parts only - Chrome

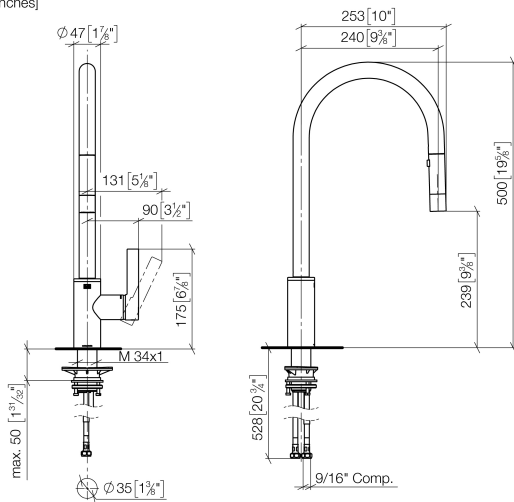
10 713 970-00



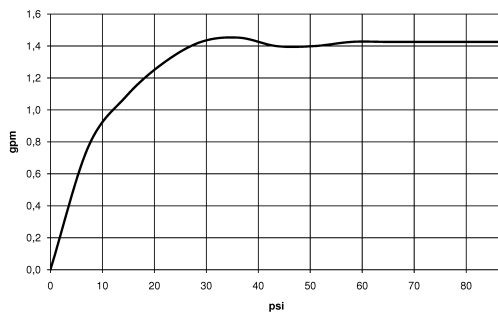
TARA ULTRA Single-lever mixer pull-down with spray function - Chrome

33 870 875 Product version from 2/26/2015

mm [inches]



Flow rate chart



Codes & Standards

ADA	ASME A112.18.1	ASME A112.18.1/CSA B125.1	California Energy Commission (CEC)
cUPC	NSF/ANSI 372	NSF/ANSI/CAN 61	NSF372
NSF61			



TARA ULTRA Single-lever mixer pull-down with spray function - Chrome

33 870 875 Product version from 2/26/2015

Certificates

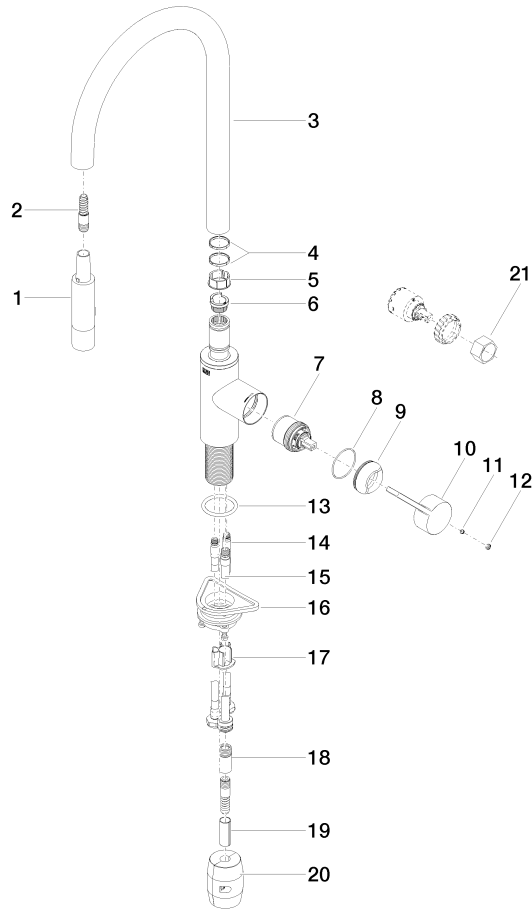
IAPMO_N-4976

IAPMO_6397

IAPMO_4976 (

TARA ULTRA Single-lever mixer pull-down with spray function - Chrome

33 870 875 Product version from 2/26/2015



Spare parts list

Number	Item Number	Designation	Number of units	Lead time
1	90 12 11 148 00-00	shower	1	60
2	04 30 02 120 00-00	hose	1	10
3	90 28 22 304 00-00	spout	1	10
4	09 28 10 160 90	ring	2	2
5	09 18 40 186 90	sleeve	1	2
6	09 30 11 203 90	ring	1	2
7	90 15 05 064 05 90	cartridge	1	2
8	09 14 10 190 90	seal	1	2
9	09 28 30 030-00	cover	1	10
10	09 20 87 020-00	handle	1	10
11	90 31 11 063 00 90	pin	1	2
12	90 31 20 087 00-00	plug	1	10
13	09 14 10 036 90	seal	1	2
14	04 30 04 103 00 90	hose	2	2
15	04 28 20 067 00 90	pipe	1	2
16	04 30 11 040 00 90	fixing set	1	2
17	09 20 93 056 90	insert	1	2
18	90 24 03 253 01 90	adaptor	1	2
19	09 30 03 038 90	hose	1	2
20	04 21 50 010 00 90	accessories	1	2
21	90 30 09 031 00 90	key	1	2