

AXOR ShowerSolutions
Showerhead 250 Square 2-Jet Ceiling Connection, 1.75 GPM
 Finishes : Part no. : **35319001**



Features

- Consists of: Showerhead, ceiling connector, Green Diverter
- Shower head size: 250 x 250 mm
- Spray modes: PowderRain, Intense PowderRain
- Adjustment with shift on thermostat
- dynamic spray nozzles move out while using
- Flow: 1.75 GPM (6.6 L/Min)
- Showerhead removable for cleaning
- ServiceCard with sieve can be removed without tools for cleaning purpose
- Connection type: basic set

Item details

List Price

Technology



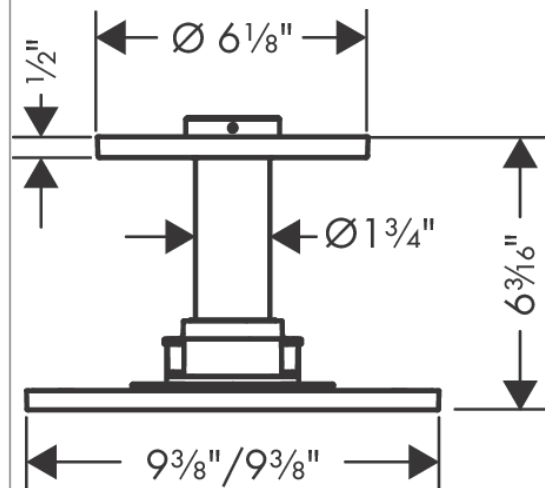
Compliance



Product image



Scale drawing

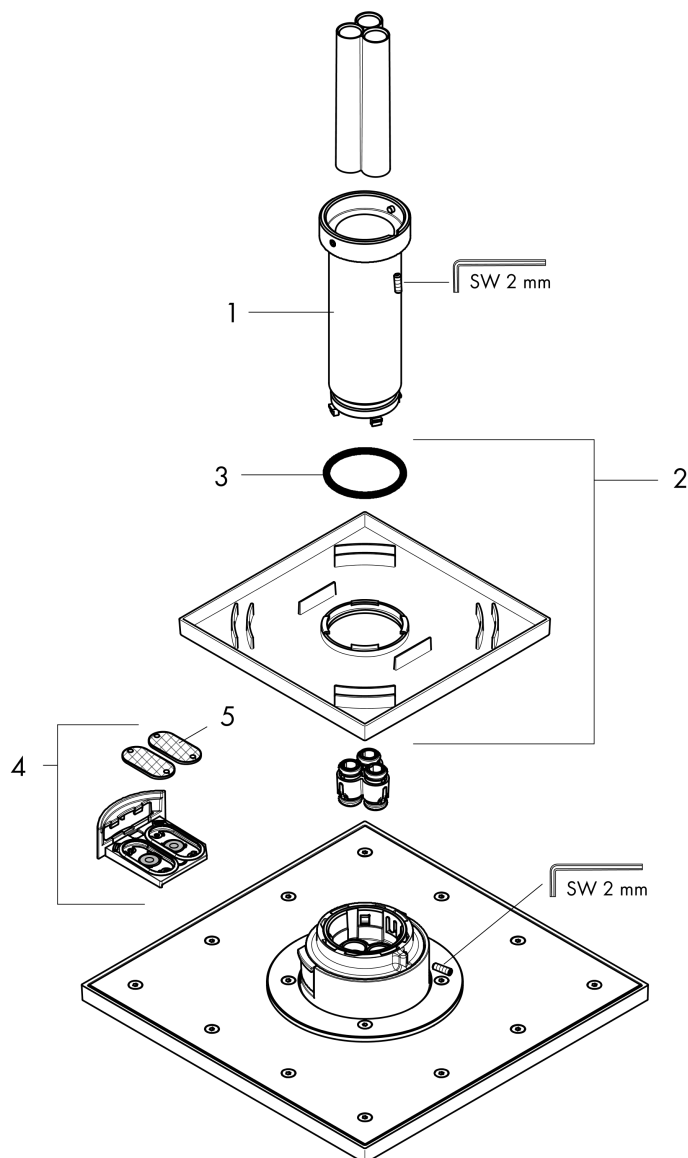


AXOR ShowerSolutions
Showerhead 250 Square 2-Jet Ceiling Connection, 1.75 GPM
Finishes : Part no. : **35319001**



Exploded drawing

Year of production: >12/21



AXOR ShowerSolutions
Showerhead 250 Square 2-Jet Ceiling Connection, 1.75 GPM
 Finishes : Part no. : **35319001**



Spare parts list

Year of production: >12/21

Pos.		Part no.	Price	PU
1	sleeve	92709000	-	1
2	escutcheon 155 / 155 mm	92710000	-	1
3	O-ring 42x3,5	92708000	-	1
4	service unit	94448001	-	1
5	filter	93402000	-	1