

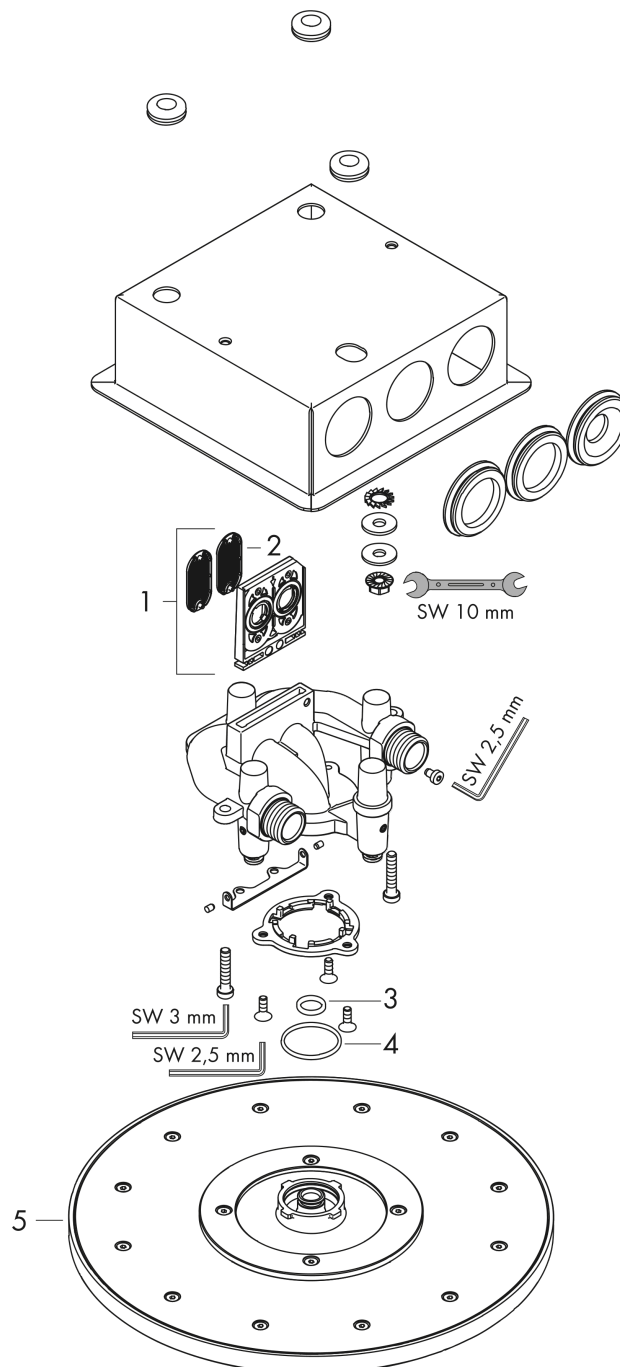


**AXOR ShowerSolutions**  
**Showerhead 250 2-Jet, 1.75 GPM**  
Finishes : Part no. : **35366001**



## Exploded drawing

Year of production: >07/21



**AXOR ShowerSolutions**  
**Showerhead 250 2-Jet, 1.75 GPM**  
 Finishes : Part no. : **35366001**



## Spare parts list

Year of production: >07/21

| Pos. |              | Part no. | Price | PU |
|------|--------------|----------|-------|----|
| 1    | service unit | 94448001 | -     | 1  |
| 2    | filter       | 93402000 | -     | 1  |
| 3    | O-ring 11x2  | 98127000 | -     | 1  |
| 4    | O-Ring 28x2  | 98194000 | -     | 1  |
| 5    | head shower  | 93458000 | -     | 1  |