

AXOR ShowerSolutions
Showerhead 220 1-Jet, 1.5 GPM
 Finishes : Part no. : **35369001**



Features

- Shower head size: 220 mm
- Spray modes: Rain
- Spray face finish: Fully-finished matching spray face
- Flow: 1.5 GPM (5.7 L/Min)
- Showerhead removable for cleaning

Item details

List Price

Technology



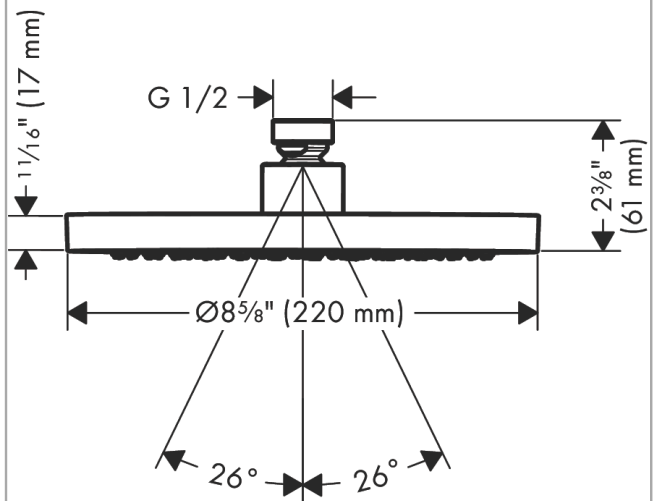
Compliance



Product image



Scale drawing

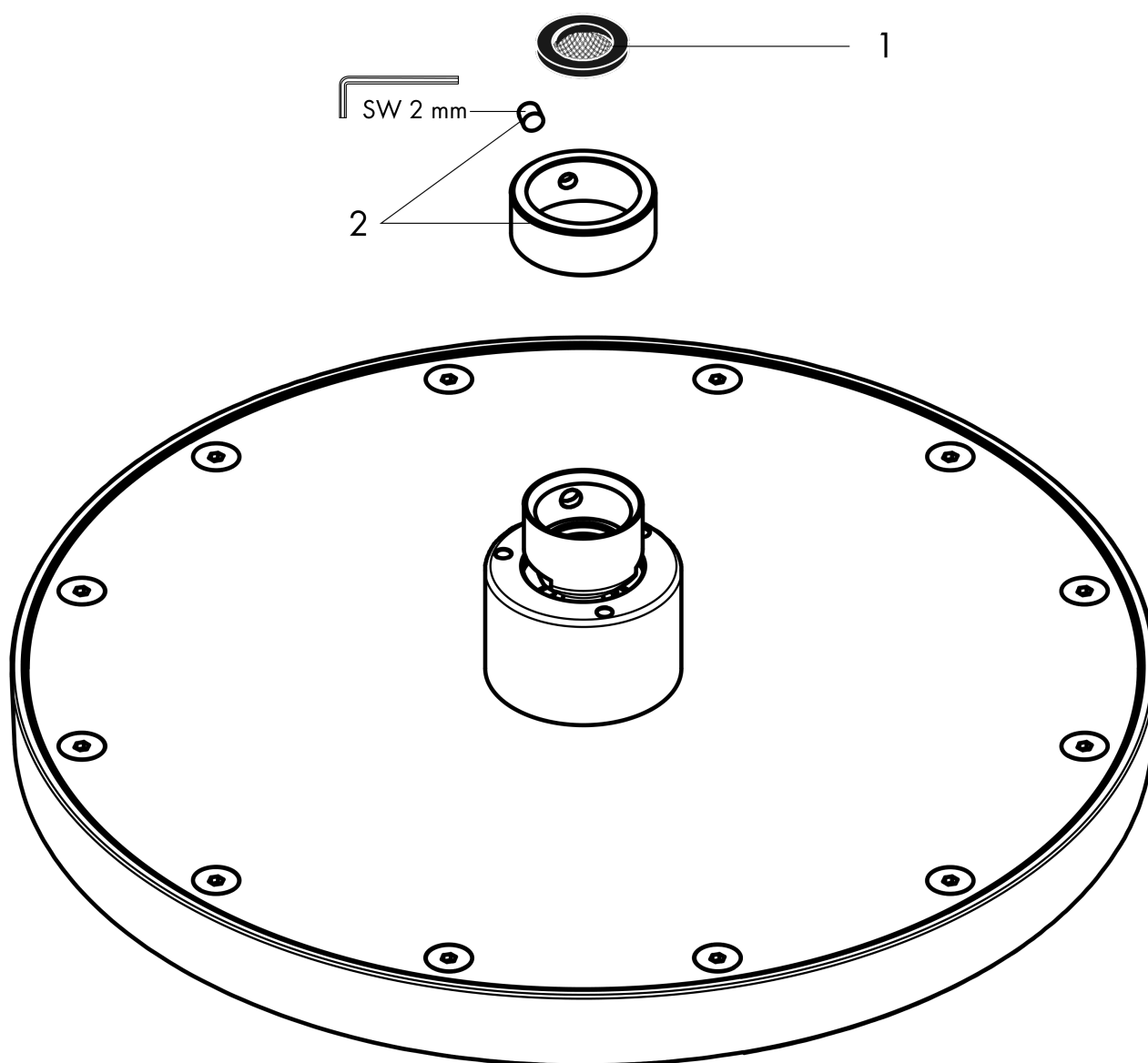


AXOR ShowerSolutions
Showerhead 220 1-Jet, 1.5 GPM
Finishes : Part no. : **35369001**



Exploded drawing

Year of production: >07/22



AXOR ShowerSolutions
Showerhead 220 1-Jet, 1.5 GPM
Finishes : Part no. : **35369001**



Spare parts list

Year of production: >07/22

Pos.		Part no.	Price	PU
1	filter packing	94246000	-	1
2	lock washer	98942001	-	1