






35EX

Location:

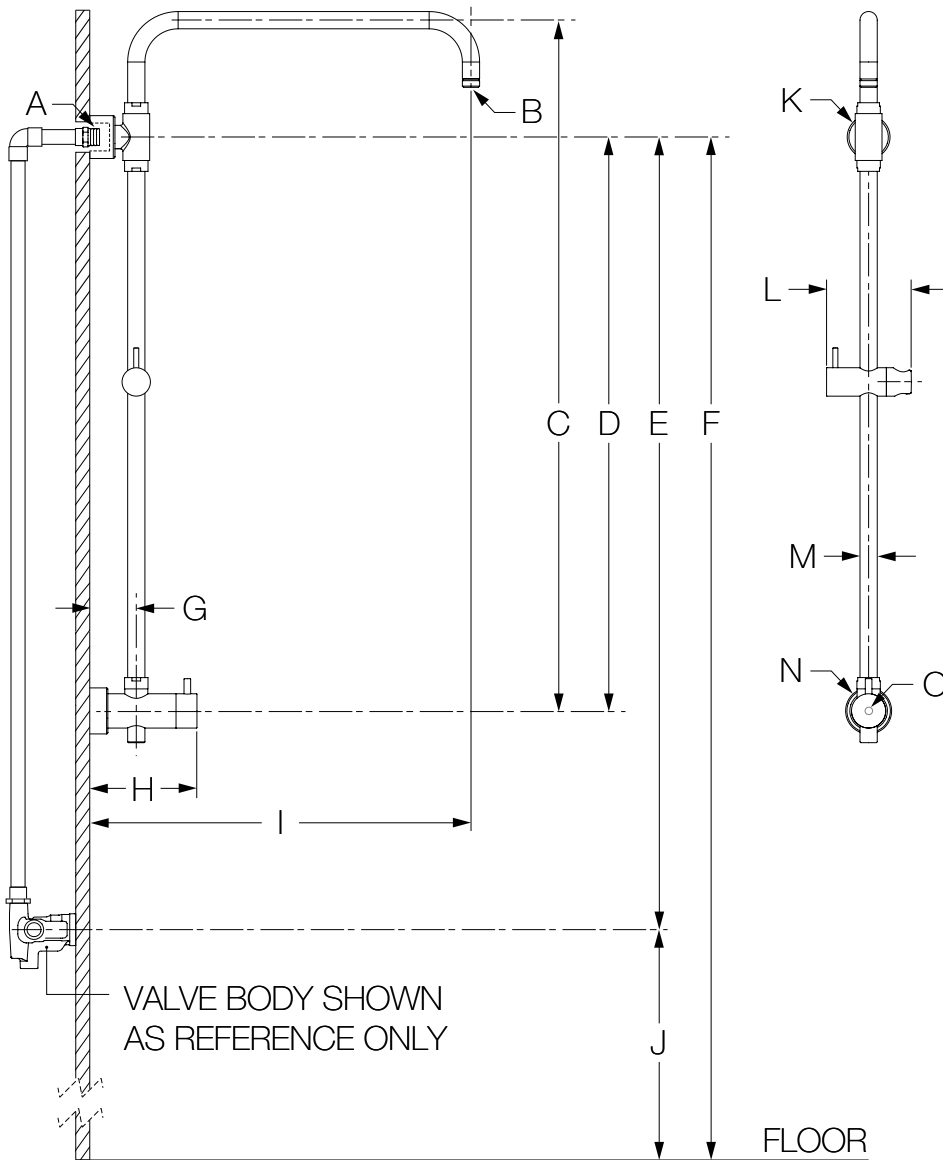
**Exposed Shower System
Specification Submittal**

<p>Specification</p> <ul style="list-style-type: none"> Exposed shower pipe. Metal lever handle. Adjustable stop screw to limit handle turn. Separate diverter included for toggling between showerhead and hand shower position. Includes column/slide bar and hand shower bracket. 60" flexible metal hose with check for backflow protection (requires hand shower with check or in-line vacuum breaker). Showerhead and hand shower not included. Components shall be metal and nonmetal construction, plated in standard Polished Chrome finish. For optional in-line vacuum breaker order p/n EF-109. 	<p>Modifications</p> <ul style="list-style-type: none"> <input type="checkbox"/> CG -1.5 1.5 gpm (5.7 L/min) flow restrictor <input type="checkbox"/> -2.0 2.0 gpm (7.6 L/min) flow restrictor <p>Note: Append appropriate -suffix to model number.</p>
<p>Model Numbers</p> <ul style="list-style-type: none"> <input type="checkbox"/> 35EX <i>Dia exposed shower system</i> 	<p>Showerhead Options</p> <ul style="list-style-type: none"> <input type="checkbox"/> - 352SH Dia® 3" diameter, 1 mode showerhead <input type="checkbox"/> - 352SH-3 Dia® 3" diameter, 3 mode showerhead <input type="checkbox"/> - 361SH Duro® 4" square, 1 mode showerhead <input type="checkbox"/> - 361SH-6 Duro® 6" square, 1 mode showerhead <input type="checkbox"/> - 362SH Duro® 3" diameter, 1 mode showerhead <input type="checkbox"/> - 4-161 Symmons® 9" diameter rain showerhead <input type="checkbox"/> - 4-166 Winslet® 6" diameter rain showerhead <input type="checkbox"/> - 402SH1 Symmons® 12" diameter rain showerhead <input type="checkbox"/> - 422SH Oxford® 6-1/2" square, 1 mode showerhead <input type="checkbox"/> - 432SH Sereno® 8" diameter, 1 mode showerhead <input type="checkbox"/> - 511SH Degas® 5-3/4" diameter, 1 mode showerhead <input type="checkbox"/> - 532SH Museo® 5-3/4" diameter, 1 mode showerhead <p>Note: Append appropriate -suffix to model number.</p>
<p>Finish Options</p> <ul style="list-style-type: none"> <input type="checkbox"/> -BBZ <i>Brushed Bronze finish</i> <input type="checkbox"/> -MB <i>Matte Black finish</i> <input type="checkbox"/> -STN <i>Satin Nickel finish</i> <p>Note: Append appropriate -suffix to model number.</p>	<p>Hand Shower Options</p> <ul style="list-style-type: none"> <input type="checkbox"/> -412W Naru® 3-5/8" diameter, 3 mode hand shower <input type="checkbox"/> -422W Oxford® 4" square, 1 mode hand shower <input type="checkbox"/> -442W Carrington® 3-1/4" diameter, 3 mode hand shower <input type="checkbox"/> -462W Degas® 3" diameter, 1 mode hand shower <input type="checkbox"/> -552W Elm® 3-1/4" diameter, 3 mode hand shower <input type="checkbox"/> -EF-100 Dia® 2-3/4" diameter, 1 mode hand shower <input type="checkbox"/> -EF-101 Allura® 3-3/4" diameter, 3 mode hand shower <input type="checkbox"/> -EF-118 Symmons® 3-3/4" diameter, 1 mode hand shower <input type="checkbox"/> -EF-119 Symmons® 3-3/4" diameter, 3 mode hand shower <input type="checkbox"/> -SC-127 Symmons® 3" diameter, 5 mode hand shower <p>Note: Append appropriate -suffix to model number.</p>
<p>Compliance</p> <p>-ASME A112.18.1/CSA B125.1 -Lever handle meets ADA requirements. Must be paired with ADA compliant hand shower</p>  	
<p>Warranty</p> <p>Limited Lifetime - to the original end purchaser in consumer/residential installations. 10 Years - for commercial/industrial installations. Refer to www.symmons.com/warranty for complete warranty information.</p> 	

Architectural/Engineering Specification

Symmons Dia® Exposed Shower System _____ Includes exposed shower pipe, metal lever handle, adjustable stop screw to limit handle turn, separate diverter included for toggling between showerhead and hand shower position, column/slide bar and hand shower bracket, 60" flexible metal hose with check for backflow protection (requires hand shower with check or in-line vacuum breaker), showerhead and hand shower not included. Components shall be metal and nonmetal construction, plated in standard Polished Chrome finish. For optional in-line vacuum breaker order p/n EF-109. 10-Year Commercial Warranty. ASME A112.18.1/CSA B125.1 compliant, Lever handle meets ADA requirements. Must be paired with ADA compliant hand shower. Available options: "1.5 - 1.5 gpm (5.7 L/min) flow restrictor", "2.0 - 2.0 gpm (7.6 L/min) flow restrictor", "BBZ - Brushed Bronze finish", "MB - Matte Black finish", and "STN -Satin Nickel finish".

Dimensions



Important Notes:

- 1) If the distance for item E is less than 29" (737 mm), Exposed Shower Riser is not appropriate for your application.
- 2) Hand shower wands that exceed 0.8 lbs. are not recommended for Exposed Shower Riser.

Measurements

A	Male 1/2" NPT thread must protrude 1/2" (13 mm) from finished wall
B	1/2"-14 NPT
C	27-1/2", 699 mm
D	22", 559 mm
E	For Shower Systems: Min. 29", 737 mm from centerline of shower output to valve For Tub/Shower Systems: Min. 29", 737 mm from centerline of shower output to valve
F	Ref. 77", 1956 mm
G	2-3/16", 55 mm
H	5-1/16", 128 mm
I	17-15/16", 456 mm
J	For Shower Systems: Min. 42", 1067 mm Max. 48", 1219 mm For Tub/Shower Systems: Ref. 32", 813 mm
K	Ø 2", 51 mm
L	4", 102 mm
M	Ø 13/16", 21 mm
N	Ø 2-3/16", 56 mm
O	Hole Size Ø 5/16", 8 mm

Note: Dimensions subject to change without notice.