

## MEM Wall mounted three-way diverter - Brushed Platinum

36 210 782 Product version from 4/1/2022



- Manual diverter
  - Flange 2-3/8" x 2-3/8"
  - with integrated shut-off  
**(ADA)**
- Does not allow for simultaneous use of functions**

(ADA)

Does not allow for simultaneous use of functions

	Brushed Platinum	36 210 782-06 0010
	Chrome	36 210 782-00 0010
	Platinum	36 210 782-08 0010
	Dark Chrome	36 210 782-19 0010
	Brushed Durabrass (23kt Gold)	36 210 782-28 0010
	Brushed Champagne (22kt Gold)	36 210 782-46 0010
	Champagne (22kt Gold)	36 210 782-47 0010
	Brushed Dark Platinum	36 210 782-99 0010

### Required article



- Wall mounted three-way diverter - 35 203 970-90 0010**
- Max. rough in depth "
  - Min. rough in depth "

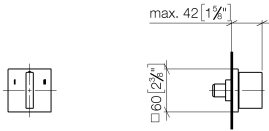


## MEM Wall mounted three-way diverter - Brushed Platinum

---

36 210 782 Product version from 4/1/2022

mm [inches]



### Flow rate chart

---



### Codes & Standards

---

ASME A112.18.1

California Energy  
Commission  
(CEC)

cUPC



## MEM Wall mounted three-way diverter - Brushed Platinum

---

36 210 782 Product version from 4/1/2022

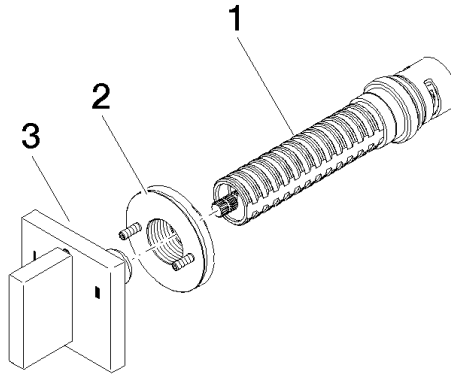
### Certificates

---

IAPMO\_4976 (

**MEM Wall mounted three-way diverter - Brushed Platinum**

36 210 782 Product version from 4/1/2022



**Spare parts list**

Number	Item Number	Designation	Number of units	Lead time
1	90 90 03 305 10 90	diverter	1	2
2	90 21 02 181 00 90	disc	1	2
3	90 20 78 002 11-06	handle	1	10