

## MEM Volume Control - Chrome

36 310 782 Product version from 10/14/2020



- Flange 2-3/8" x 2-3/8" (ADA)

**NOTE: Important! Due to minimum rough-in requirements, a framing of 2 x 6 studs may be needed.**

(ADA)

NOTE: Important! Due to minimum rough-in requirements, a framing of 2 x 6 studs may be needed.

	Chrome	36 310 782-00
	Brushed Platinum	36 310 782-06
	Platinum	36 310 782-08
	Dark Chrome	36 310 782-19
	Brushed Champagne (22kt Gold)	36 310 782-46
	Champagne (22kt Gold)	36 310 782-47
	Cyprum	36 310 782-49
	Brushed Chrome	36 310 782-93
	Brushed Dark Platinum	36 310 782-99

### Required article



**Rough for volume control clockwise-closing 1/2" -**

- Min. rough in depth "
- Max. rough in depth "

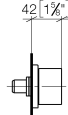
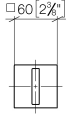
35 621 970-90  
0010

## MEM Volume Control - Chrome

---

36 310 782 Product version from 10/14/2020

mm [inches]



### Codes & Standards

---

ASME A112.18.1

cUPC

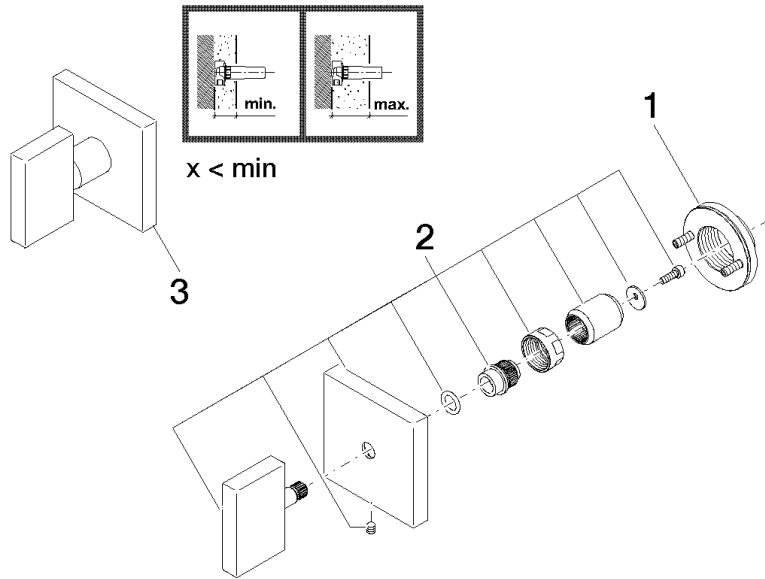
### Certificates

---

IAPMO\_4976 (

**MEM Volume Control - Chrome**

36 310 782 Product version from 10/14/2020



**Spare parts list**

Number	Item Number	Designation	Number of units	Lead time
1	90 21 02 108 00 90	disc	1	2
2	90 20 78 002 02-00	handle	1	2
3	90 20 78 002 01-00	handle	1	10