

MEM Volume Control - Platinum

36 310 782 Product version from 10/14/2020



- Flange 2-3/8" x 2-3/8"
(ADA)

NOTE: Important! Due to minimum rough-in requirements, a framing of 2 x 6 studs may be needed.

(ADA)

NOTE: Important! Due to minimum rough-in requirements, a framing of 2 x 6 studs may be needed.

| | | |
|---|-------------------------------|---------------|
|  | Platinum | 36 310 782-08 |
|  | Chrome | 36 310 782-00 |
|  | Brushed Platinum | 36 310 782-06 |
|  | Dark Chrome | 36 310 782-19 |
|  | Brushed Champagne (22kt Gold) | 36 310 782-46 |
|  | Champagne (22kt Gold) | 36 310 782-47 |
|  | Cyprum | 36 310 782-49 |
|  | Brushed Chrome | 36 310 782-93 |
|  | Brushed Dark Platinum | 36 310 782-99 |

Required article



Rough for volume control clockwise-closing 1/2" -

- Min. rough in depth "
- Max. rough in depth "

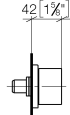
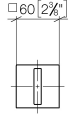
35 621 970-90
0010



MEM Volume Control - Platinum

36 310 782 Product version from 10/14/2020

mm [inches]



Codes & Standards

ASME A112.18.1

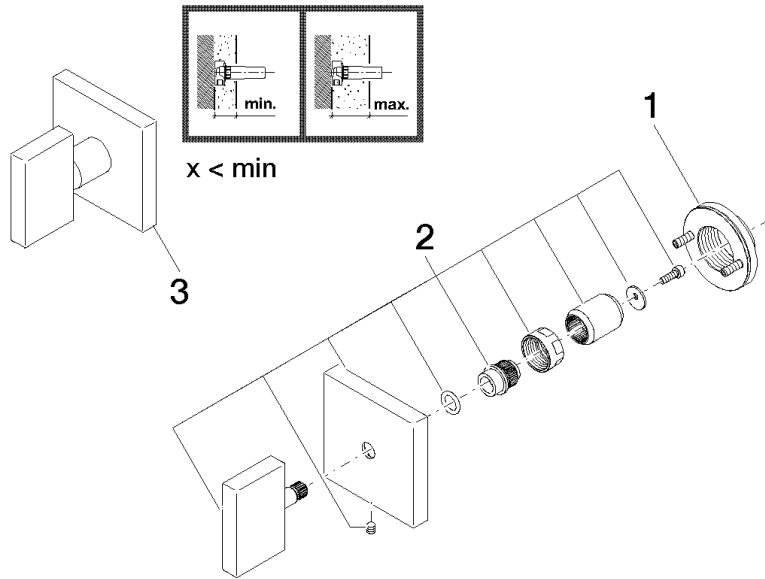
cUPC

Certificates

IAPMO_4976 (

MEM Volume Control - Platinum

36 310 782 Product version from 10/14/2020



Spare parts list

| Number | Item Number | Designation | Number of units | Lead time |
|--------|--------------------|-------------|-----------------|-----------|
| 1 | 90 21 02 108 00 90 | disc | 1 | 2 |
| 2 | 90 20 78 002 02-08 | handle | 1 | 40 |
| 3 | 90 20 78 002 01-08 | handle | 1 | 40 |